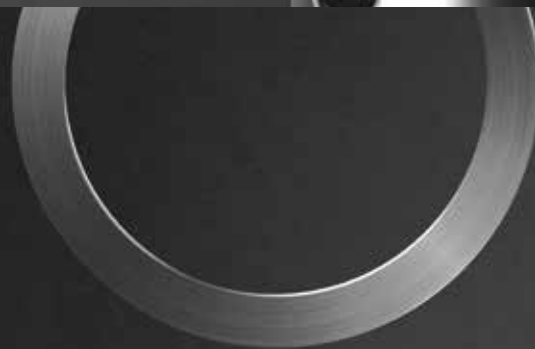
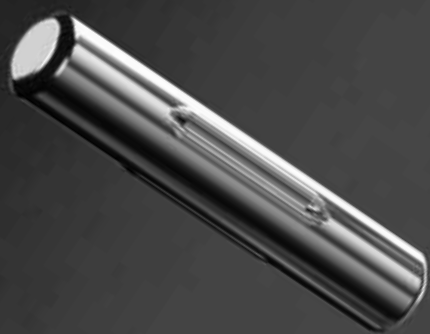


FIRMAFLOW® + THE CERA FAMILY

HIDDEN BRILLIANCE SINCE 1969



Ideal Standard

PART OF THE IDEAL STANDARD GROUP

FIRMAFLOW® + THE CERA FAMILY

HIDDEN BRILLIANCE SINCE 1969

| | |
|----|---|
| 04 | Hidden Brilliance |
| 06 | Over 50 years of ceramic disc cartridge expertise |
| 07 | Pioneering past & present |
| 08 | FirmaFlow® |
| 14 | Cera Family |
| 20 | Ceraflex |
| 24 | Ceraline |
| 28 | Ceraplan III |
| 32 | Cerafine D |
| 36 | Cerafine O |
| 40 | Technical specification |
| 77 | Summary |
| 78 | Contact |

H I D D E N B R I L L I A N C E



S I N C E 1 9 6 9

50 years of the ceramic disc cartridge

DEFINING THE FUTURE

It was a landmark year when our German engineers pioneered the ceramic disc cartridge to create a unique drip-free, easy-to-use and incredibly durable single lever tap.

While it left no telltale footprints, this technology continues to make its mark in millions of homes worldwide.



Pioneers past & present

OUR MISSION TO INNOVATE

In collaboration with leading universities, architects, urban designers and construction firms worldwide, we are working to positively shape the future of modern living.

We bring our industry-leading knowledge, skills and experience to a range of products that are intelligently designed to meet the needs of our customers, both today and tomorrow.

Below: Original ceramic disc cartridge illustration, 1969



1902
ONE-PIECE BATHTUB

1965
SKID-RESISTANT BATHTUB

1969
CERAMIC DISC CARTRIDGE

1979
THE RIMLESS TOILET

1990
TOP FIX

2000
CLICK TECHNOLOGY

2007
MARKWIK

2011
IDEALBLUE

2015
AQUABLADE

2016
FIRMAFLOW®

2017
IPALYSS

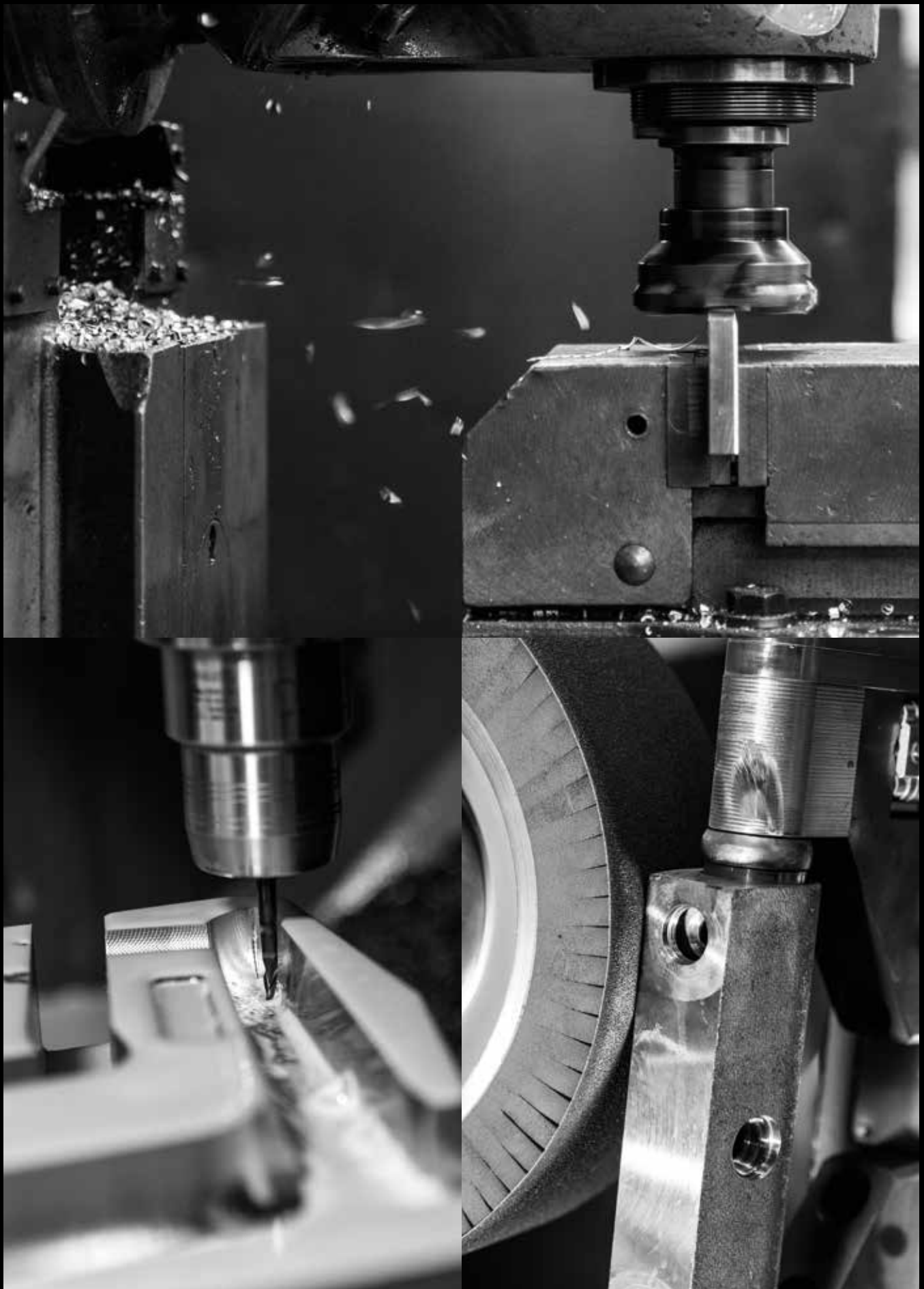
2019
CERAMIC DISC 50TH ANNIVERSARY

2020
CERATHERM NEW GENERATION



Above: FirmaFlow® cartridge





FirmaFlow®

ENGINEERED WITH THE FUTURE IN MIND

Click Technology

Save up to 50% more water with Click Technology.

Click Technology with a mechanical stop to limit basin tap water flow to just the amount required for washing hands. This is even more efficient in maintaining flow consistency while reducing usage by up to 50%.



BlueStart® Technology

Reduce energy usage by BlueStart® Technology.

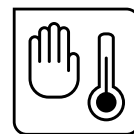
Our BlueStart® Technology means that only cold water flows initially when opening the tap, hot water being saved unless actively selected by turning the lever. This enables BlueStart® to facilitate energy savings.



Hot water temperature control

Superior pinpoint precision over water temperature.

Mechanically restricts the range of movement of the handle, thereby controlling the maximum hot water temperature. Possible limitation in different degrees. The in-built hot water limiter makes scalding a thing of the past.



FirmaFlow®

TESTED TO THE LIMIT FOR UNLIMITED PERFORMANCE

Performance & Durability

Our ceramic disc
cartridge undergoes
45 separate
performance tests.

We test for pressure, temperature,
noise and endurance to prove what
we already know: it's the most
durable, reliable, high-performance
product on the market.



Right: Testing FirmaFlow®





The Cera Family

THE COMPLETE
COLLECTION
THAT'S NEVER LOW
ON SOLUTIONS



Simpler to select from,
faster to fit and with the hidden
brilliance of our ceramic disc
technology, The Cera Family is
a small collection that offers
almost unlimited solutions.





The Cera Family

EASIER THAN EVER TO FIT AND MAINTAIN

EasyFix®

EasyFix® makes
installation simple
with its reliability
reducing maintenance.

Every basin mixer in The Cera
Family comes with our EasyFix®
system, which cuts installation
time by 30%.



Left: EasyFix® installation

The Cera Family

BEAUTIFUL AS WELL AS BEAUTIFULLY ENGINEERED

Design & Ergonomics

Smoother surfaces,
reduced spout radius,
larger comfort areas,
easier to clean.

Each tap in The Cera Family has been crafted with a larger comfort area beneath the aerator, improving ergonomic performance.

This makes every tap in the collection easier to operate while SmartShine® Finishing makes cleaning easier too.





1

CERAFLEX



WATER SAVING



BLUESTART®
TECHNOLOGY



EASYFIX®
INSTALLATION



SMARTSHINE®
FINISHING



HOT WATER
TEMPERATURE
CONTROL



CLICK
TECHNOLOGY

THE TAP THAT WILL LAST FOR YEARS

With its effortless style, simplicity and long-term savings, Ceraflex is the smart choice for a reliable fitting.

EFFICIENCY

BlueStart® Technology
Offers energy saving by releasing cold water first; reducing hot water use.

Click Technology
Offers up to 50% water saving via a mechanical stop that provides just enough water required to wash hands.

Economic 5l/min aerator
More economical 5l/min aerator limits maximum flow rate and introduces air into the waterflow for softer, foamy water.

PERFORMANCE & DURABILITY

FirmaFlow® cartridge
Manufactured from durable high-tech materials hot water resistant to 95°C.

FirmaFlow® cartridge
Designed to last for over 10 years, more than double the industry average lifespan.

Hot Water Temperature Control
Mechanically restricts the range of movement of the handle, thereby controlling the maximum hot water temperature. Prevents burning and saves money.

DESIGN & ERGONOMICS

Excellent comfort area
Large space beneath the aerator, ergonomic and easy to use.

Small spout radius
Neat shape allowing easy operation.

INSTALLATION & MAINTENANCE

EasyFix®
Features preassembled components which cut installation times by up to 30%.

No decorative elements
Sleek, modern, easy-to-clean design.

SmartShine® Finishing
The exceptional quality of the chrome finish combines a strong resistance of the product and easy cleaning offering you a lifetime of enjoyment.

1



Ceraflex
Basin Mixer
B1713AA



Ceraflex
**Exposed Bath
& Shower Mixer**
B1722AA

Handspray Set
B9451AA

IdealFlex Hose
A4109AA



Ceraflex
Built-in Shower Mixer
Kit 1 + 2
A6757AA

Shower Kit Idealrain
Evo Diamond
B2234AA

Wall Elbow
B9448AA

2

CERALINE



WATER SAVING



EASYFIX®
INSTALLATION



SMARTSHINE®
FINISHING



HOT WATER
TEMPERATURE
CONTROL



CLICK
TECHNOLOGY

THE TAP BUILT FOR COMFORT

Ceraline's timeless design and extra height makes it the right choice for greater comfort.

EFFICIENCY

Click Technology
Offers up to 50% water saving via a mechanical stop that provides just enough water required to wash hands.

Economic 5l/min aerator
More economical 5l/min aerator limits maximum flow rate and introduces air into the waterflow for softer, foamy water.

PERFORMANCE & DURABILITY

Hot Water Temperature Control
Mechanically restricts the range of movement of the handle, thereby controlling the maximum hot water temperature. Prevents burning and saves money.

DESIGN & ERGONOMICS

Small spout radius
Neat shape allowing easy operation.

Cylindrical metal lever
Easy and ergonomic to operate.

INSTALLATION & MAINTENANCE

EasyFix®
Features preassembled components which cut installation times by up to 30%.

Sleek, modern, easy-to-clean design.

Hidden cache aerator
Improved vandal protection.

2



Ceraline
Basin Mixer
BC192AA



Ceraline
**Exposed Bath
& Shower Mixer**
BC270AA

Handspray Set
B9451AA

IdealFlex Hose
A4109AA



Ceraline
Built-in Shower Mixer
Kit 1 + 2
A6940AA

Shower Kit Idealrain
Evo Diamond
B2234AA

Wall Elbow
B9448AA

3

CERAPLAN III



BLUESTART®
TECHNOLOGY



EASYFIX®
INSTALLATION



WATER SAVING



SMARTSHINE®
FINISHING



HOT WATER
TEMPERATURE
CONTROL



CLICK
TECHNOLOGY

THE TAP YOU CAN ALWAYS RELY ON

Durable, contemporary and sustainable with a new slimmer profile, Ceraplan III is the right choice for enhanced water and energy savings.

EFFICIENCY

BlueStart® Technology
Offers energy saving by releasing cold water first, reducing hot water use.

Click Technology
Offers up to 50% water saving via a mechanical stop that provides just enough water required to wash hands.

Economic 5l/min aerator
More economical 5l/min aerator limits maximum flow rate and introduces air into the waterflow for softer, foamy water.

PERFORMANCE & DURABILITY

FirmaFlow® cartridge
Manufactured from durable high-tech materials hot water resistant to 95°C.

FirmaFlow® cartridge
Designed to last for over 10 years, more than double the industry average lifespan.

Hot Water Temperature Control
Mechanically restricts the range of movement of the handle, thereby controlling the maximum hot water temperature. Prevents burning and saves money.

DESIGN & ERGONOMICS

Excellent comfort area
Large space beneath the aerator, ergonomic and easy to use.

Small spout radius
Neat shape allowing easy operation.

INSTALLATION & MAINTENANCE

EasyFix®
Features preassembled components which cut installation times by up to 30%.

Smooth surface & defined edges
Easier to clean.

SmartShine® Finishing
The exceptional quality of the chrome finish combines a strong resistance of the product and easy cleaning offering you a lifetime of enjoyment.

3



Ceraplan III
Basin Mixer
BC560AA



Ceraplan III
**Exposed Bath
& Shower Mixer**
B0718AA

Handspray Set
B9451AA

IdealFlex Hose
A4109AA



Ceraplan III
**Built-in Bath &
Shower Mixer Kit 2**
A6115AA

Head Shower
300x300mm
B0025AA

Wall Arm 300mm
B9444AA

**Shower Kit Idealrain
Evo Diamond**
B2238AA

Wall Elbow
B9448AA

4

CERAFINE D



BLUESTART®
TECHNOLOGY



EASYFIX®
INSTALLATION



WATER SAVING



SMARTSHINE®
FINISHING



HOT WATER
TEMPERATURE
CONTROL



CLICK
TECHNOLOGY

THE TAP THAT NEVER GROWS OLD

With its elegant design and high-performance engineering, the Cerafine D is timeless in every way.

EFFICIENCY

BlueStart® Technology
Offers energy saving by releasing cold water first; reducing hot water use.

Economic 5l/min aerator
More economical 5l/min aerator limits maximum flow rate and introduces air into the waterflow for softer, foamy water.

PERFORMANCE & DURABILITY

FirmaFlow® cartridge*
Manufactured from durable high-tech materials hot water resistant to 95°C.

FirmaFlow® cartridge*
Designed to last for over 10 years, more than double the industry average lifespan.

Hot Water Temperature Control
Mechanically restricts the range of movement of the handle, thereby controlling the maximum hot water temperature. Prevents burning and saves money.

DESIGN & ERGONOMICS

Excellent comfort area
Large space beneath the aerator, ergonomic and easy to use.

Slim, tactile handle
Improved user experience and comfort level.

Colour variations
Wider range of finishes available:
- electroplating technology,
- powder coating technology.

INSTALLATION & MAINTENANCE

EasyFix®
Features preassembled components which cut installation times by up to 30%.

Decorative escutcheon fixed to the body
Easy mounting and installation time.

SmartShine® Finishing
The exceptional quality of the chrome finish combines a strong resistance of the product and easy cleaning offering you a lifetime of enjoyment.

*Cerafine D features FirmaFlow® as of January 2020.

4



Cerafine D
Basin Mixer
BC686AA



Cerafine D
**Exposed Bath
& Shower Mixer**
BC693AA

Handspray Set
B9451AA

IdealFlex Hose
A4109AA



Cerafine D
**Built-in Shower Mixer
Kit 2**
A7188AA

**Shower Kit Idealrain
Evo Round**
B2234AA

Wall Elbow
B9448AA

5

CERAFINE O



BLUESTART®
TECHNOLOGY



SMARTSHINE®
FINISHING



EASYFIX®
INSTALLATION



WATER SAVING



HOT WATER
TEMPERATURE
CONTROL



CLICK
TECHNOLOGY

THE TAP THAT MAKES A STATEMENT

Distinguished by its beautiful design and outstanding performance, the Cerafine O is the tap to choose for luxury projects.

EFFICIENCY

BlueStart® Technology
Offers energy saving by releasing cold water first; reducing hot water use.

Economic 5l/min aerator
More economical 5l/min aerator limits maximum flow rate and introduces air into the waterflow for softer, foamy water.

PERFORMANCE & DURABILITY

FirmaFlow® cartridge*
Manufactured from durable high-tech materials hot water resistant to 95°C.

FirmaFlow® cartridge*
Designed to last for over 10 years, more than double the industry average lifespan.

Hot Water Temperature Control
Mechanically restricts the range of movement of the handle, thereby controlling the maximum hot water temperature. Prevents burning and saves money.

DESIGN & ERGONOMICS

Excellent comfort area
Large space beneath the aerator, ergonomic and easy to use.

Colour variations
Wider range of finishes available:
- electroplating technology,
- powder coating technology.

INSTALLATION & MAINTENANCE

EasyFix®
Features preassembled components which cut installation times by up to 30%.

Decorative escutcheon fixed to the body
Easy mounting and installation time.

SmartShine® Finishing
The exceptional quality of the chrome finish combines a strong resistance of the product and easy cleaning offering you a lifetime of enjoyment.

*Cerafine O features FirmaFlow® as of January 2020.

5



Cerafine O
Grande Basin Mixer
BC699AA



Cerafine O
**Exposed Bath
& Shower Mixer**
BC706AA

Handspray Set
B9451AA

IdealFlex Hose
A4109AA



Cerafine O
**Built-in Bath & Shower
Mixer Kit 2**
A7350AA

Head Shower 200mm
B9442AA

Wall Arm 300mm
B9444AA

Wall Elbow
B9448AA

Shower Hose IdealFlex
A3330AA

**Shower Kit Idealrain
Evo Diamond**
B2234AA

1

CERAFLEX

THE TAP THAT
WILL LAST
FOR YEARS

With its effortless style, simplicity and long-term savings, Ceraflex is the smart choice for a reliable fitting.

Ceraflex
Basin Mixer
B1707AA / B1708AA



B1707AA
Plastic pop-up waste

B1708AA
Metal pop-up waste

38 mm cartridge FirmaFlow®

Slim aerator 5 l/min

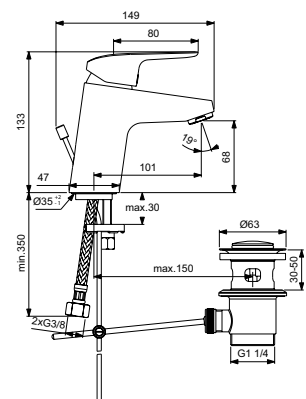
EasyFix® system

Supplied with flexible hoses G3/8 PEX

Temperature limit stop
(preset option available)

SmartShine® Finishing

Comfort area: Height 70 mm



**Ceraflex
Basin Mixer
B1709AA**



With chain
38 mm cartridge FirmaFlow®
Slim aerator 5 l/min
EasyFix® system
Supplied with flexible hoses G3/8 PEX
Temperature limit stop
(preset option available)
SmartShine® Finishing
Comfort area: Height 70 mm

**Ceraflex
Basin Mixer
B1710AA**



No pop-up waste
38 mm cartridge FirmaFlow®
Slim aerator 5 l/min
EasyFix® system
Supplied with flexible hoses G3/8 PEX
Temperature limit stop
(preset option available)
SmartShine® Finishing
Comfort area: Height 70 mm

**Ceraflex
Basin Mixer with
BlueStart® Technology
B1711AA**

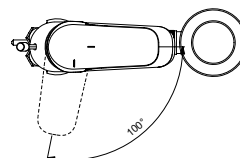
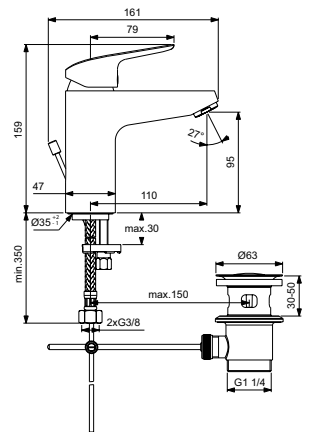
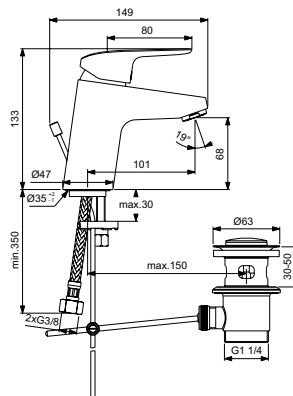
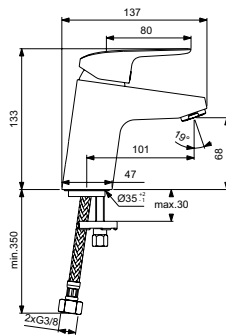
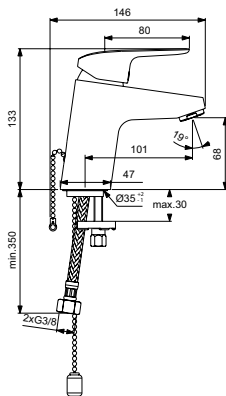


Metal pop-up waste
BlueStart® Technology
38 mm cartridge FirmaFlow®
Slim aerator 5 l/min
EasyFix® system
Supplied with flexible hoses G3/8 PEX
Temperature limit stop
(preset option available)
SmartShine® Finishing
Comfort area: Height 70 mm

**Ceraflex
Grande Basin Mixer
B1712AA / B1713AA**



B1712AA
Plastic pop-up waste
B1713AA
Metal pop-up waste
38 mm cartridge FirmaFlow®
Slim aerator 5 l/min
EasyFix® system
Supplied with flexible hoses G3/8 PEX
Temperature limit stop
(preset option available)
SmartShine® Finishing
Comfort area: Height 100 mm



Ceraflex
Grande Basin Mixer
B1714AA



Ceraflex
Grande Basin Mixer with BlueStart® Technology
B1715AA



Ceraflex
Basin Mixer with High Swivelling Spout
B1716AA



Ceraflex
Vessel Mixer
B1872AA



No pop-up waste
38 mm cartridge FirmaFlow®
Slim aerator 5 l/min
EasyFix® system
Supplied with flexible hoses G3/8 PEX
Temperature limit stop (preset option available)
SmartShine® Finishing
Comfort area: Height 100 mm



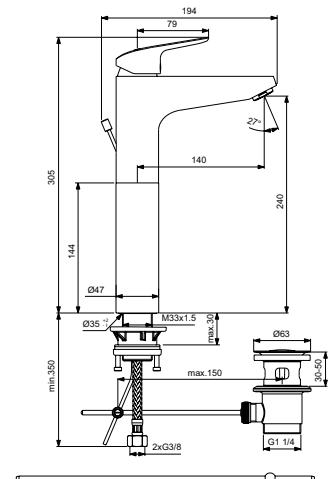
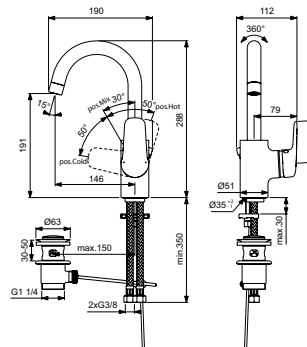
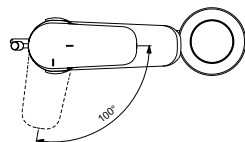
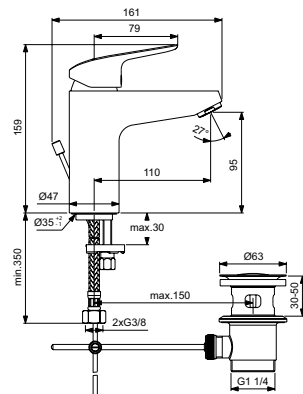
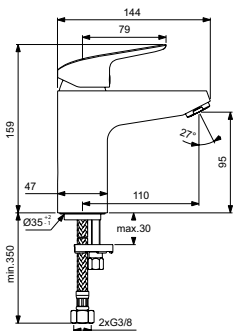
Metal pop-up waste
BlueStart® Technology
38 mm cartridge FirmaFlow®
Slim aerator 5 l/min
EasyFix® system
Supplied with flexible hoses G3/8 PEX
Temperature limit stop (preset option available)
SmartShine® Finishing
Comfort area: Height 100 mm



Tubular spout 25 mm (Rotation limited to 120°)
Metal pop-up waste
38 mm cartridge FirmaFlow® ISI
Click Technology
Aerator perlator 24x1
EasyFix® system
Supplied with flexible hoses G3/8 PEX
Temperature limit stop (preset option available)
SmartShine® Finishing
Comfort area: Height 90 mm



Metal pop-up waste
38 mm cartridge FirmaFlow® ISI
Slim aerator 5 l/min
EasyFix® system for installation
Supplied with flexible hoses G3/8 PEX
Temperature limit stop (preset option available)
SmartShine® Finishing

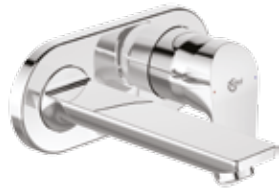


Ceraflex
**3-hole Dual Control
 Basin Mixer**
 B1873AA



Ceramic cartridges 90°
 Aerator perlator 24x1
 SmartShine® Finishing

Ceraflex
Built-in Basin Mixer Kit 2
 A6941AA



47mm IS cartridge
 Spout 172 mm
 Cascade aerator 5 l/min
 Temperature limit stop
 (preset option available)
 Kit 1 EasyBox to be purchased
 separately (A5948NU)
 SmartShine® Finishing

Ceraflex
Exposed Basin Mixer
 B1717AA

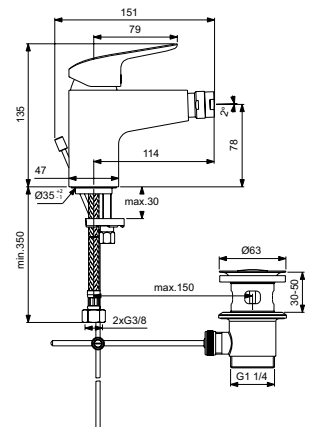
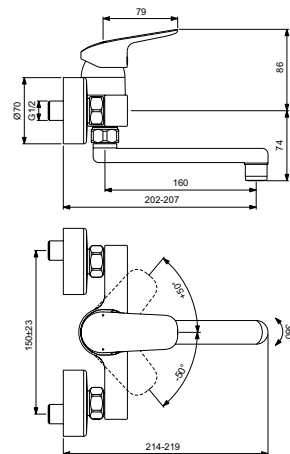
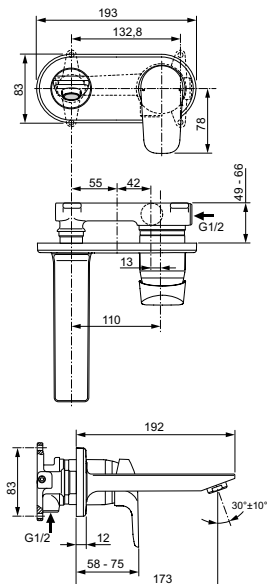
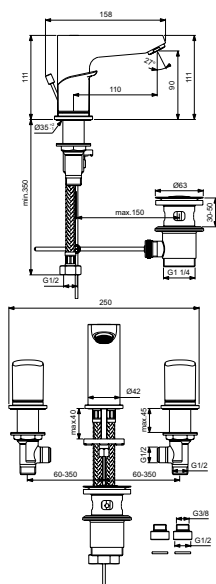


Tubular spout 160 mm
 38 mm cartridge FirmaFlow® ISI
 Click Technology
 Aerator perlator M24x1
 S-connectors and cylindrical escutcheons
 Temperature limit stop
 (preset option available)
 SmartShine® Finishing

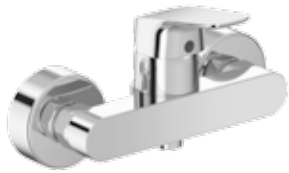
Ceraflex
Bidet Mixer
 B1718AA



Metal pop-up waste
 38 mm cartridge FirmaFlow® ISI
 Click Technology
 Aerator perlator M24x1
 EasyFix® system
 Supplied with flexible hoses G3/8 PEX
 Temperature limit stop
 (preset option available)
 SmartShine® Finishing



Ceraflex
Exposed Shower Mixer
B1719AA



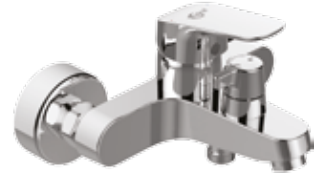
Ceraflex
Exposed Shower Mixer
B1720AA



Ceraflex
Exposed Bath & Shower Mixer
B1721AA



Ceraflex
Exposed Bath & Shower Mixer
B1740AA



38 mm cartridge FirmaFlow® ISI
Click Technology
Easy installation
S-connectors and cylindrical escutcheons
Check valve
Temperature limit stop
(preset option available)
SmartShine® Finishing



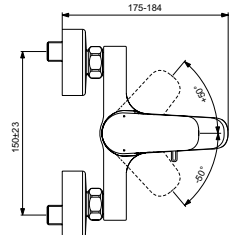
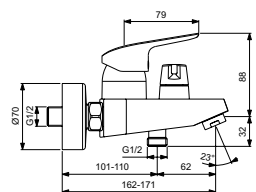
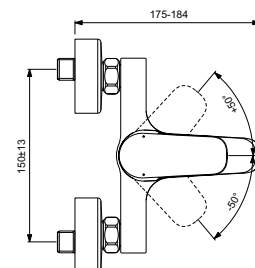
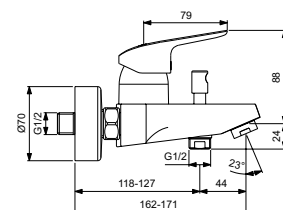
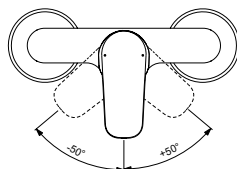
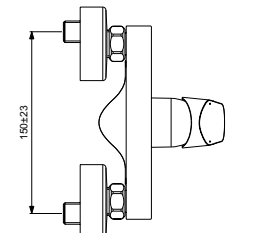
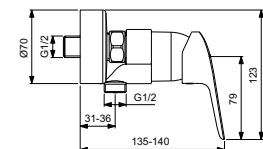
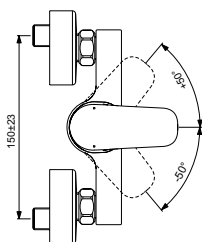
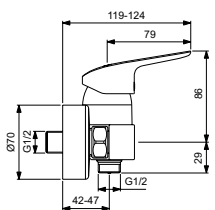
38 mm cartridge FirmaFlow® ISI
Click Technology
Easy installation
S-connectors and cylindrical escutcheons
Check valve
Temperature limit stop
(preset option available)
SmartShine® Finishing



38 mm cartridge FirmaFlow® ISI
Click Technology
Easy installation
Automatic diverter
Pull knob
S-connectors and cylindrical escutcheons
Check valve
Temperature limit stop
(preset option available)
SmartShine® Finishing



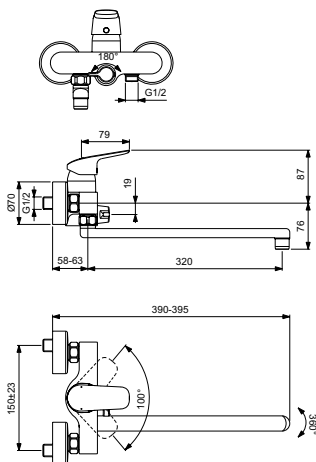
38 mm cartridge FirmaFlow® ISI
Click Technology
Easy installation
S-connection complete
Temperature limit stop
(preset option available)
Ceramic diverter
SmartShine® Finishing



Ceraflex
Exposed Bath & Shower Mixer with Long Spout
 B1741AA



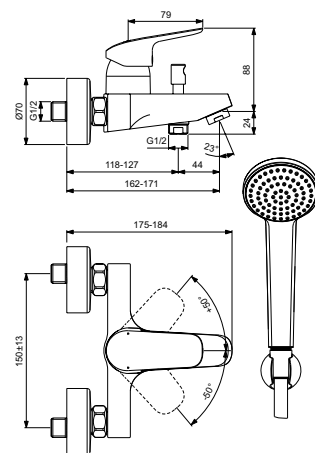
Tubular spout 320 mm
 38 mm cartridge FirmaFlow® ISI with hot water limiter
 Click Technology
 Easy installation
 Handle diverter
 S-connection
 Ceramic diverter
 SmartShine® Finishing



Ceraflex
Exposed Bath & Shower Mixer with Accessories
 B1722AA



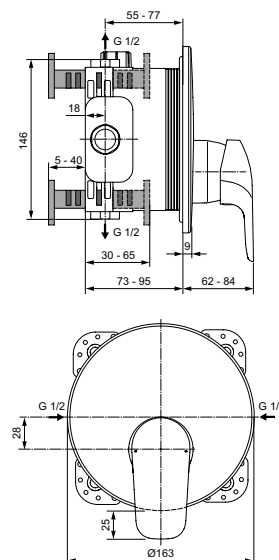
38 mm cartridge FirmaFlow® ISI
 Click Technology
 Easy installation
 Automatic diverter
 Pull knob active
 S-connectors and cylindrical escutcheons
 Check valve
 Wall hook for hand shower
 Idealrain 80 mm handspray with waterflow 8 l/min
 Shower metal hose G1/2-3°-G1/2X1500
 Temperature limit stop (preset option available)
 SmartShine® Finishing



Ceraflex
Built-in Shower Mixer Kit 2
 A6724AA



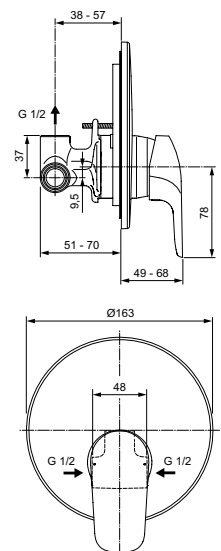
47 mm Click cartridge
 Kit 1 EasyBox to be purchased separately (A1000NU)
 SmartShine® Finishing



Ceraflex
Built-in Shower Mixer Kit 1 + 2
 A6757AA



47 mm Click cartridge
 Kit 1 + Kit 2 (complete set)
 SmartShine® Finishing



Ceraflex
**Built-in Bath & Shower Mixer
 Kit 1 + 2**
 A6758AA



47 mm Click cartridge
 Diverter with pull knob (metal)
 Kit 1 included (A1300NU)
 SmartShine® Finishing

Ceraflex
**Built-in Bath & Shower Mixer
 Kit 2**
 A6725AA

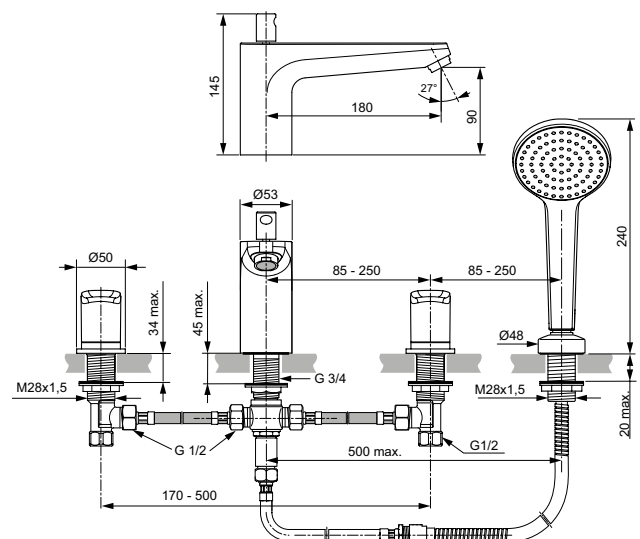
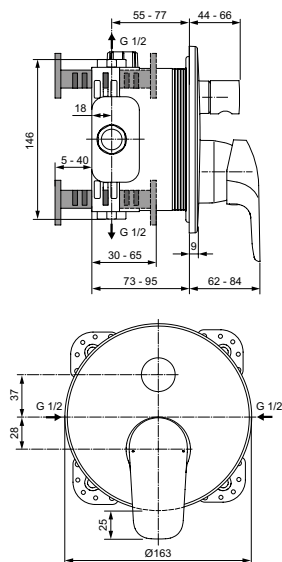
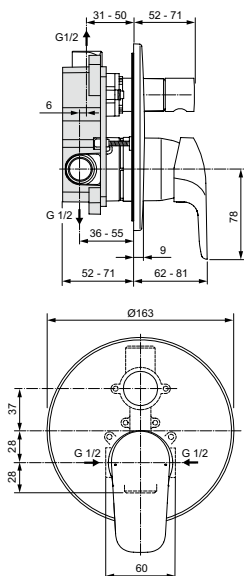


47 mm Click cartridge
 Diverter with pull knob (metal)
 Kit 1 EasyBox to be purchased
 separately (A1000NU)
 SmartShine® Finishing

Ceraflex
4-hole Dual Control Bath and Shower Mixer
 B1874AA



Ceramic disc cartridges 90°
 Automatic diverter
 Aerator 24x1
 Idealrain handspray 100 mm – 1 function with 8 l/min flow limiter
 Metal shower hose
 SmartShine® Finishing





2

CERALINE

THE TAP BUILT FOR COMFORT

Ceraline's timeless design and extra height makes it the right choice for greater comfort.

Ceraline
Basin Mixer
BC192AA / BC193AA



BC192AA

Metal pop-up waste

BC193AA

Metal pop-up waste/Hidden aerator 5 l/min

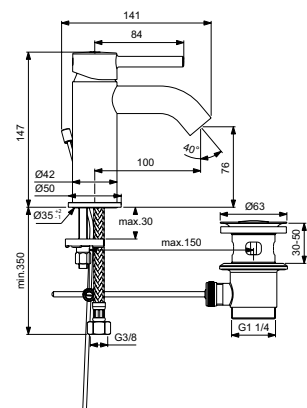
EasyFix® system

35 mm ceramic cartridge with hot water limiter

Supplied with flexible hoses G3/8 PEX

SmartShine® Finishing

Comfort area: Height 80 mm



Ceraline
Basin Mixer
BC268AA



- No pop-up waste
- EasyFix® system
- Hidden aerator 5 l/min
- 35 mm ceramic cartridge with hot water limiter
- Supplied with flexible hoses G3/8 PEX
- SmartShine® Finishing
- Comfort area: Height 80 mm

Ceraline
Vessel Basin Mixer
BC194AA



- Metal pop-up waste
- EasyFix® system
- Hidden aerator 5 l/min
- 35 mm ceramic cartridge with hot water limiter
- Supplied with flexible hoses G3/8 PEX
- SmartShine® Finishing
- Comfort area: Height 240 mm

Ceraline
Vessel Basin Mixer
BC269AA

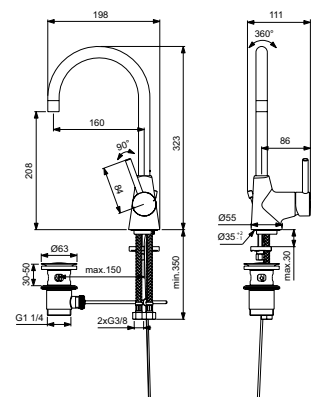
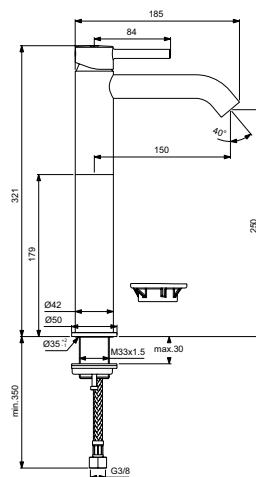
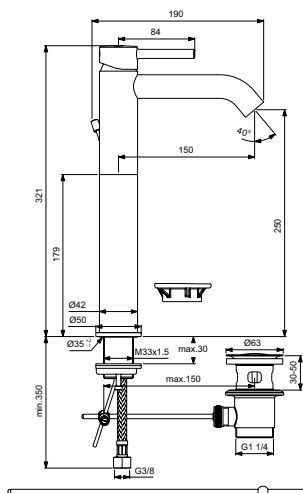
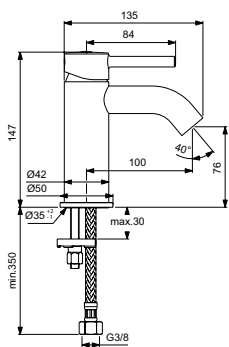


- No pop-up waste
- EasyFix® system
- Hidden aerator 5 l/min
- 35 mm ceramic cartridge with hot water limiter
- Supplied with flexible hoses G3/8 PEX
- SmartShine® Finishing
- Comfort area: Height 240 mm

Ceraline
High Spout Basin Mixer
BC195AA



- Metal pop-up waste
- EasyFix® system
- Hidden aerator 5 l/min
- 35 mm ceramic cartridge with hot water limiter
- Supplied with flexible hoses G3/8 PEX
- SmartShine® Finishing
- Comfort area: Height 210 mm



Ceraline
3-hole Basin Mixer
BC196AA



Ceramic valves G1/2 90° left and right
Perlator aerator
RIM mounted G1/2 nuts with sealing system for water supply system connections
SmartShine® Finishing
Comfort area: Height 160 mm

Ceraline
Built-in Basin Mixer Kit 2
A6938AA



Tubular spout 195 mm
47 mm IS ceramic cartridge
Hidden aerator
Kit 1 to be purchased separately (A5948NU)
SmartShine® Finishing

Ceraline
Bidet Mixer
BC197AA

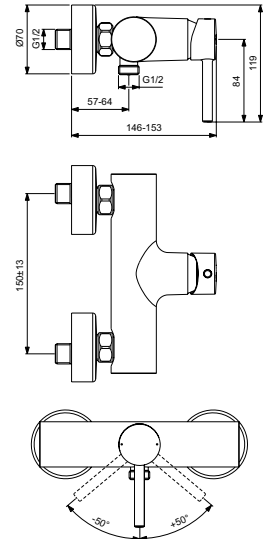
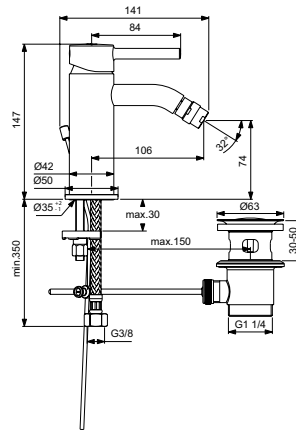
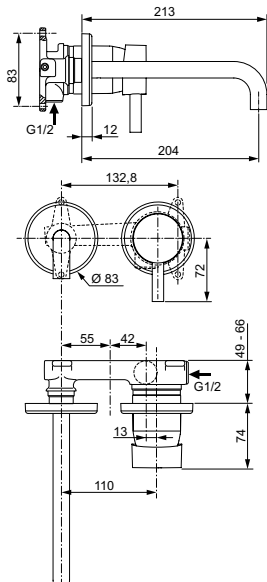
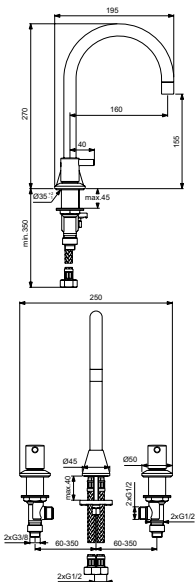


Metal pop-up waste
EasyFix® system
Hidden aerator 5 l/min
35 mm ceramic cartridge with hot water limiter
Supplied with flexible hoses G3/8 PEX
SmartShine® Finishing

Ceraline
Exposed Shower Mixer
BC200AA



35 mm ceramic cartridge with hot water limiter
Standard S-connections with noise reducers
SmartShine® Finishing



Ceraline
**Exposed Bath & Shower Mixer
 with Accessories**
 BC270AA



35 mm ceramic cartridge with hot water limiter
 Check valve
 Standard S-connections with noise reducers
 Hidden aerator
 Automatic diverter
 SmartShine® Finishing
 With shower accessories

Ceraline
Exposed Bath & Shower Mixer
 BC199AA



35 mm ceramic cartridge with hot water limiter
 Check valve
 Standard S-connections with noise reducers
 Hidden aerator
 Automatic diverter
 SmartShine® Finishing

Ceraline
**Built-in Bath & Shower Mixer
 Kit 1 + 2**
 A6939AA

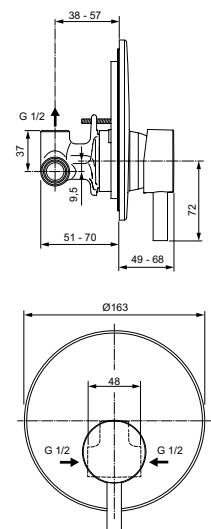
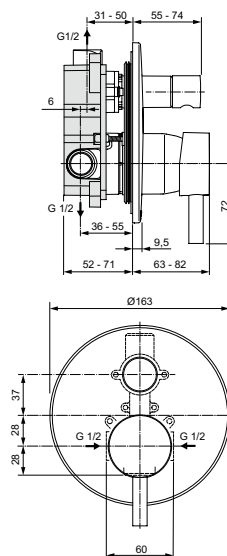
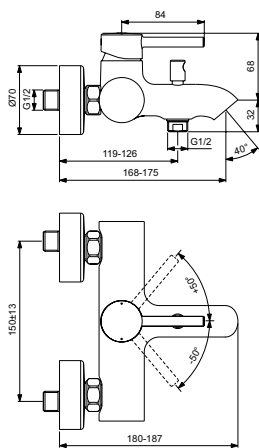
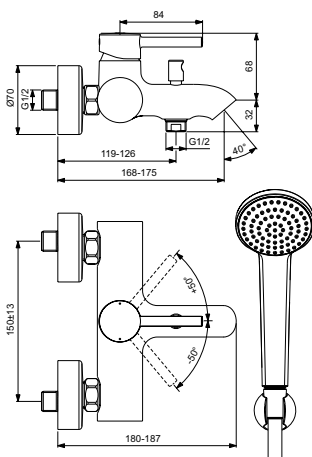


47 mm Click cartridge
 Automatic diverter
 Kit 1 included (A1300NU)
 SmartShine® Finishing

Ceraline
**Built-in Shower Mixer
 Kit 1 + 2**
 A6940AA



47 mm Click cartridge
 Kit 1 + Kit 2 version (complete set)
 SmartShine® Finishing





3

CERAPLAN III

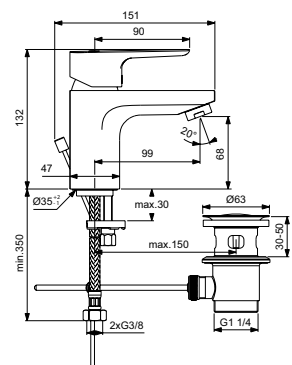
THE TAP YOU
CAN ALWAYS
RELY ON

Durable, contemporary
and sustainable with
a new slimmer profile,
Ceraplan III is the
right choice for
enhanced water
and energy savings.

Ceraplan III
Basin Mixer
BC559AA



Metal pop-up waste
38 mm cartridge FirmaFlow®
with hot water limiter
Supplied with flexible hoses G3/8 PEX
Aerator 5 l/min
EasyFix® system
SmartShine® Finishing
Comfort area: Height 70 mm



Ceraplan III
Basin Mixer
BC563AA



No pop-up waste
38 mm cartridge FirmaFlow® with hot water limiter
Supplied with flexible hoses G3/8 PEX
Aerator 5 l/min
EasyFix® system
SmartShine® Finishing
Comfort area: Height 70 mm

Ceraplan III
Basin Mixer
BC564AA



With chain
38 mm cartridge FirmaFlow® with hot water limiter
Supplied with flexible hoses G3/8 PEX
Aerator 5 l/min
EasyFix® system
SmartShine® Finishing
Comfort area: Height 70 mm

Ceraplan III
Basin Mixer with
BlueStart® Technology
BC565AA

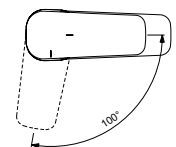
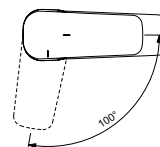
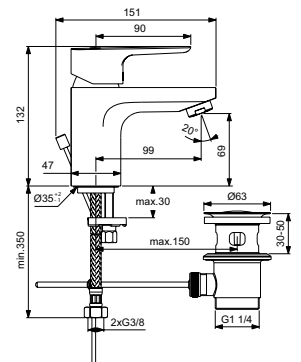
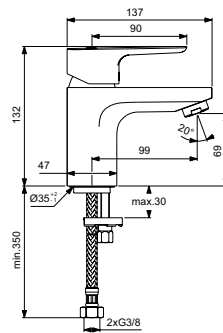
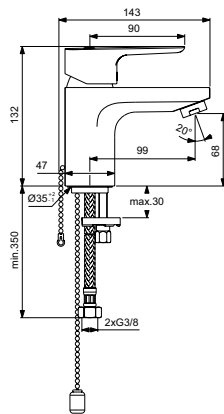
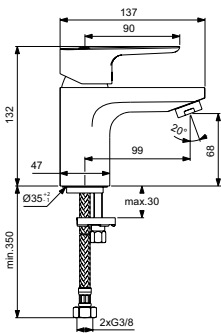


No pop-up waste
BlueStart® Technology
38 mm cartridge FirmaFlow® ISI with hot water limiter
Supplied with flexible hoses G3/8 PEX
Aerator 5 l/min
EasyFix® system
SmartShine® Finishing
Comfort area: Height 70 mm

Ceraplan III
Basin Mixer with
BlueStart® Technology
BC566AA / BC578AA



BC566AA
Metal pop-up waste
BC578AA
Plastic pop-up waste
BlueStart® Technology
38 mm cartridge FirmaFlow® ISI with hot water limiter
Supplied with flexible hoses G3/8 PEX
Aerator 5 l/min
EasyFix® system
SmartShine® Finishing
Comfort area: Height 70 mm



**Ceraplan III
Basin Mixer
BC560AA**

**Ceraplan III
Basin Mixer
BC567AA**

**Ceraplan III
Basin Mixer
BC568AA**

**Ceraplan III
Basin Mixer with
BlueStart® Technology
BC569AA**



Metal pop-up waste

38 mm cartridge FirmaFlow® with hot water limiter

Supplied with flexible hoses G3/8 PEX

Aerator 5 l/min

EasyFix® system

SmartShine® Finishing

Comfort area: Height 90 mm

No pop-up waste

38 mm cartridge FirmaFlow® with hot water limiter

Supplied with flexible hoses G3/8 PEX

Aerator 5 l/min

EasyFix® system

SmartShine® Finishing

Comfort area: Height 90 mm

With chain

38 mm cartridge FirmaFlow® with hot water limiter

Supplied with flexible hoses G3/8 PEX

Aerator 5 l/min

EasyFix® system

SmartShine® Finishing

Comfort area: Height 90 mm

No pop-up waste

BlueStart® Technology

38 mm cartridge FirmaFlow® ISI with hot water limiter

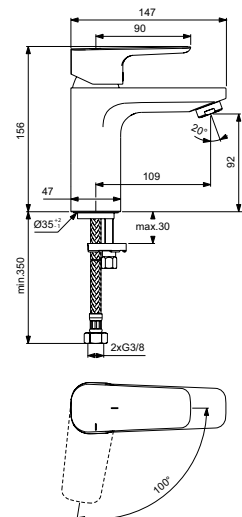
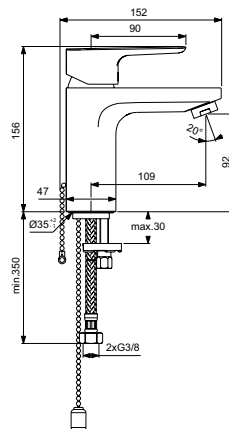
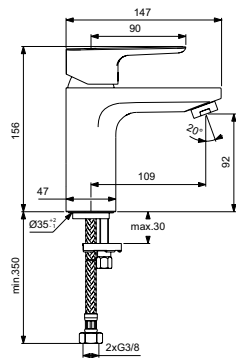
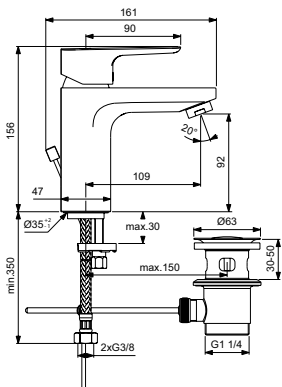
Supplied with flexible hoses G3/8 PEX

Aerator 5 l/min

EasyFix® system

SmartShine® Finishing

Comfort area: Height 90 mm



Ceraplan III
**Basin Mixer with
 BlueStart® Technology**
 BC570AA



Metal pop-up waste
 BlueStart® Technology
 38 mm cartridge FirmaFlow®
 ISI with hot water limiter
 Supplied with flexible hoses G3/8 PEX
 Aerator 5 l/min
 EasyFix® system
 SmartShine® Finishing
 Comfort area: Height 90 mm

Ceraplan III
Vessel Basin Mixer
 BC561AA



Metal pop-up waste
 BlueStart® Technology
 38 mm cartridge FirmaFlow®
 ISI with hot water limiter
 Supplied with flexible hoses G3/8 PEX
 Aerator 5 l/min
 EasyFix® system
 SmartShine® Finishing
 Comfort area: Height 250 mm

Ceraplan III
Vessel Basin Mixer
 BC562AA

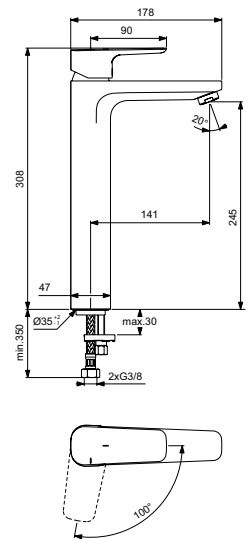
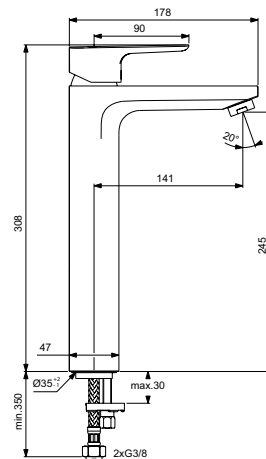
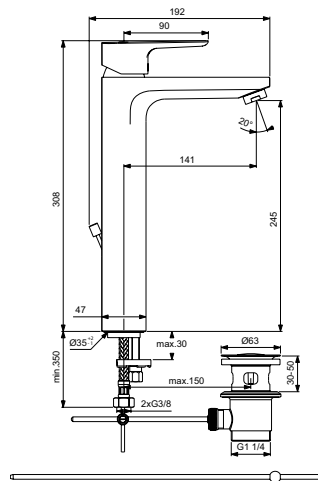
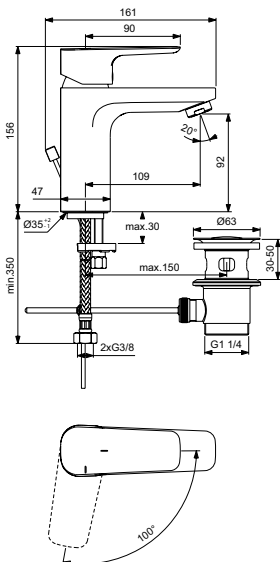


No pop-up waste
 BlueStart® Technology
 38 mm cartridge FirmaFlow®
 ISI with hot water limiter
 Supplied with flexible hoses G3/8 PEX
 Aerator 5 l/min
 EasyFix® system
 SmartShine® Finishing
 Comfort area: Height 250 mm

Ceraplan III
**Vessel Basin Mixer
 with BlueStart® Technology**
 BC571AA



No pop-up waste
 BlueStart® Technology
 38 mm cartridge FirmaFlow®
 ISI with hot water limiter
 Supplied with flexible hoses G3/8 PEX
 Aerator 5 l/min
 EasyFix® system
 SmartShine® Finishing
 Comfort area: Height 250 mm



Ceraplan III
Vessel Basin Mixer
with BlueStart® Technology
BC572AA



Metal pop-up waste
BlueStart® Technology
38 mm cartridge FirmaFlow®
ISI with hot water limiter
Supplied with flexible hoses G3/8 PEX
Aerator 5 l/min
EasyFix® system
SmartShine® Finishing
Comfort area: Height 250 mm

Ceraplan III
Bidet Mixer
BC626AA



Metal pop-up waste
38 mm cartridge FirmaFlow®
ISI with hot water limiter
Click technology
EasyFix® system
Brass cast body
Aerator Ball Joint M24x1
Flexible hoses G3/8* for water
supply system connection

Ceraplan III
Built-in Shower Mixer
Kit 2
A6114AA

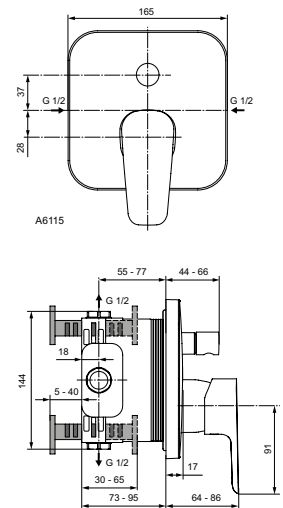
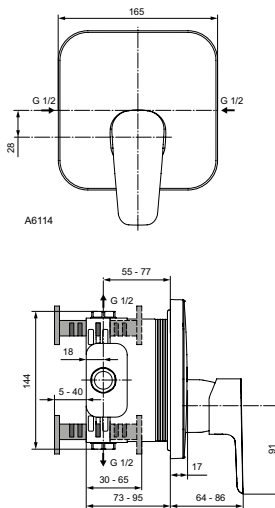
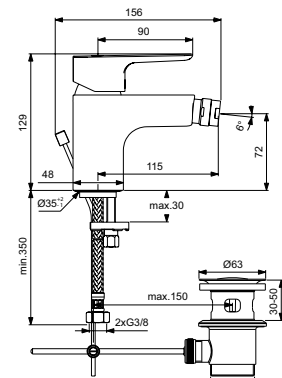
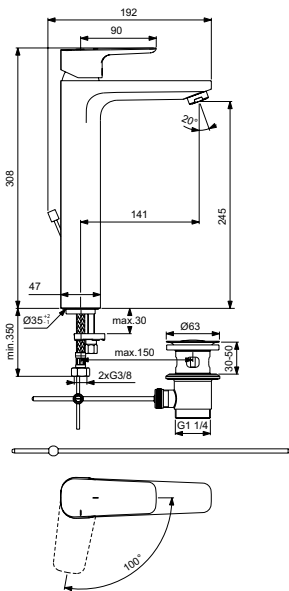


47 mm IS Click Cartridge
Temperature limit stop
(preset option available)
Kit 1 EasyBox to be purchased
separately (A1000NU)

Ceraplan III
Built-in Bath & Shower Mixer
Kit 2
A6115AA



47 mm IS Click Cartridge
Temperature limit stop
(preset option available)
Kit 1 EasyBox to be purchased
separately (A1000NU)



Ceraplan III
Built-in Shower Mixer
Kit 1 + 2
 A6382AA



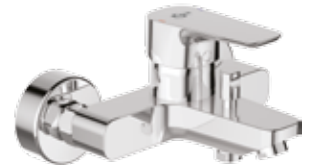
Ceraplan III
Built-in Bath & Shower Mixer
Kit 1 + 2
 A6383AA



Ceraplan III
Exposed Shower Mixer
 B0716AA



Ceraplan III
Exposed Bath & Shower Mixer
 B0718AA



Kit 1 + Kit 2 version (complete set)
 47 mm IS Click Cartridge
 Temperature limiter – integrated
 in the cartridge
 Plastic escutcheon



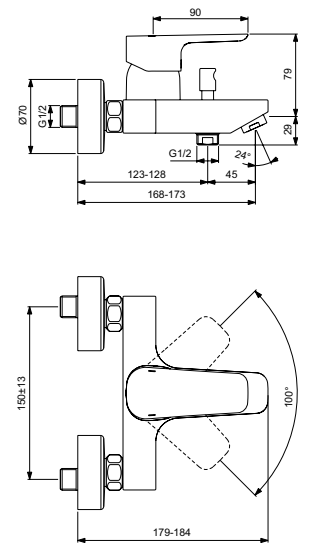
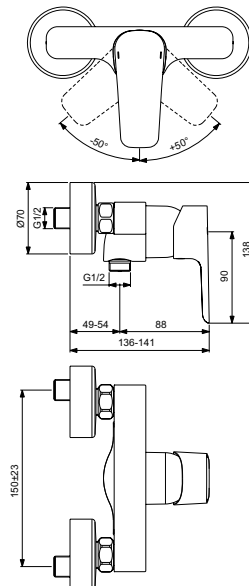
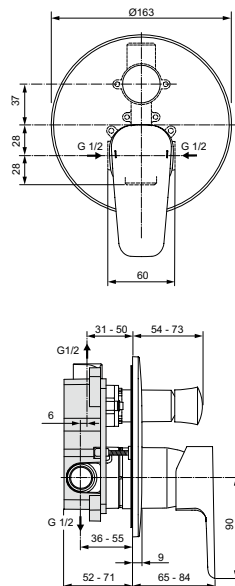
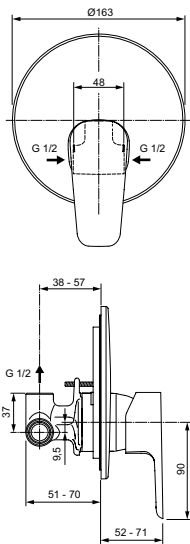
Kit 1 + Kit 2 version (complete set)
 47 mm IS Click Cartridge
 Temperature limiter – integrated
 in the cartridge
 Plastic escutcheon
 Automatic diverter



38 mm cartridge FirmaFlow®
 ISI with hot water limiter
 Click technology
 Plastic escutcheons on S-connection
 Check valve



38 mm cartridge FirmaFlow®
 ISI with hot water limiter
 Click technology
 Automatic diverter
 S-connectors with noise reducers
 Cascade aerator
 Check valve



**Ceraplan III
Exposed Bath with Accessories
B0719AA**



**Ceraplan III
Exposed Shower Mixer
with Accessories
B0717AA**



**Ceraplan III
1-hole Bath & Shower Mixer
B0769AA**



**Ceraplan III
Basin Mixer Grande with
Hygienic Hand Shower
B0919AA**



38 mm cartridge FirmaFlow®
ISI with hot water limiter
Click technology
Automatic diverter
S-connectors with noise reducers
Cascade aerator
Check valve
Idealrain handspray – 1 function
1500 mm shower hose
Fixed wall bracket



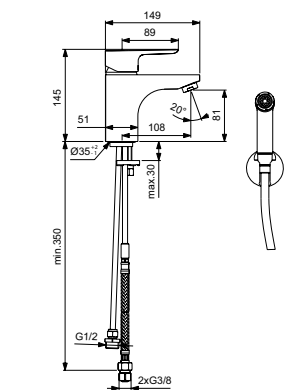
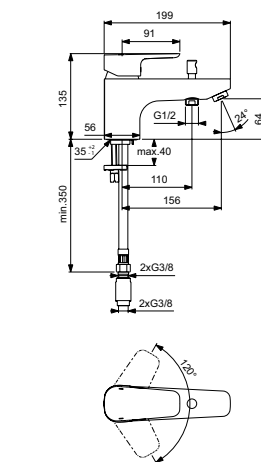
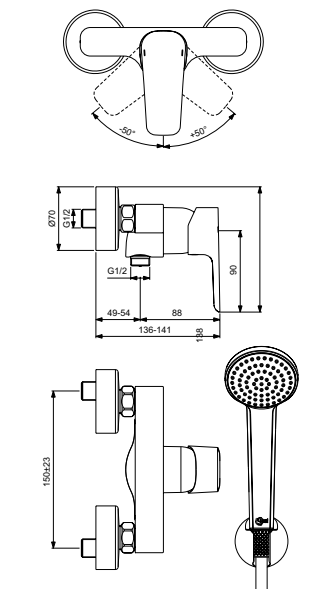
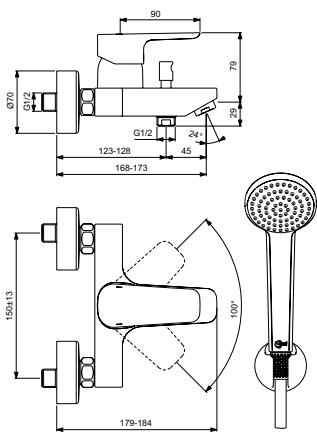
38 mm cartridge FirmaFlow®
ISI with hot water limiter
Click technology
Brass cast body
Check valve
Idealrain handspray – 1 function
1500 mm shower hose
Fixed wall bracket



47 mm ceramic cartridge IS
with Click technology
EasyFix® system
Temperature limit stop
(preset option available)
Aerator perlator
Supplied with flexible hoses G3/8 PEX
Automatic diverter



38 mm cartridge FirmaFlow®
ISI with hot water limiter
Click technology
Brass casted body
Cascade aerator M24x1
EasyFix® system
Supplied with flexible hoses G3/8 PEX
Hand shower with on-off button
Flexible hose 1800 mm wall bracket
Check valve





4

CERAFINE D

THE TAP
THAT NEVER
GROWS OLD

With its elegant design and high-performance engineering, the Cerafine D is timeless in every way.

Cerafine D
Basin Mixer
BC684AA / BC685AA



BC684AA
Plastic pop-up waste

BC685AA
Metal pop-up waste

28 mm FirmaFlow® ceramic cartridge with hot water limiter

EasyFix® system

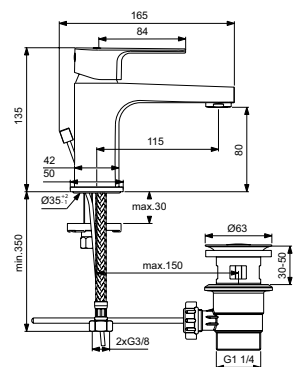
Slim aerator – 5 l/min

Supplied with flexible hoses G3/8

Decorative rosette part of the body (one piece)

SmartShine® Finishing

Comfort area: Height 80 mm



Cerafine D
Basin Mixer
BC682AA



28 mm FirmaFlow® ceramic cartridge with hot water limiter
EasyFix® system
Slim aerator – 5 l/min
Supplied with flexible hoses G3/8
Decorative rosette part of the body (one piece)
SmartShine® Finishing
Comfort area: Height 80 mm

Cerafine D
Basin Mixer with
BlueStart® Technology
BC683AA



BlueStart® Technology
28 mm FirmaFlow® ceramic cartridge with hot water limiter
EasyFix® system
Slim aerator – 5 l/min
Supplied with flexible hoses G3/8
Decorative rosette part of the body (one piece)
SmartShine® Finishing
Comfort area: Height 80 mm

Cerafine D
Basin Mixer with
BlueStart® Technology
BC745AA

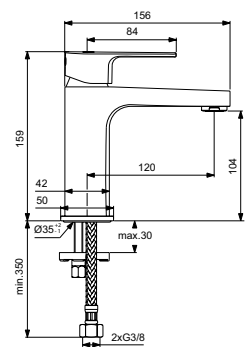
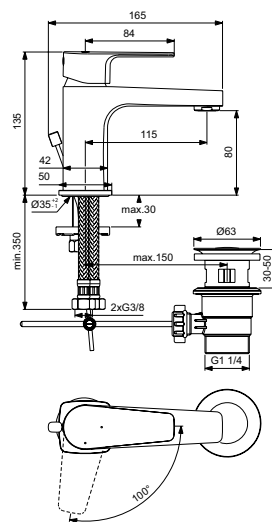
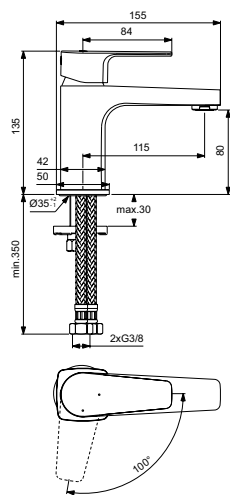
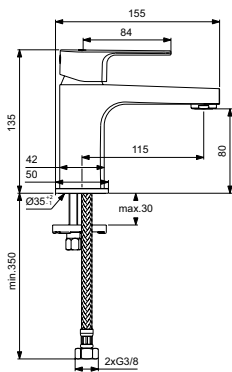


Plastic pop-up waste
BlueStart® Technology
28 mm FirmaFlow® ceramic cartridge with hot water limiter
EasyFix® system
Slim aerator – 5 l/min
Supplied with flexible hoses G3/8
Decorative rosette part of the body (one piece)
SmartShine® Finishing
Comfort area: Height 80 mm

Cerafine D
Basin Mixer
BC553AA



28 mm FirmaFlow® ceramic cartridge with hot water limiter
EasyFix® system
Slim aerator – 5 l/min
Supplied with flexible hoses G3/8
Decorative rosette part of the body (one piece)
SmartShine® Finishing
Comfort area: Height 105 mm



**Cerafine D
Basin Mixer**
BC491AA / BC686AA



**Cerafine D
Basin Mixer**
BC686U8



**Cerafine D
Basin Mixer with
BlueStart® Technology**
BC687AA



**Cerafine D
Basin Mixer with
BlueStart® Technology**
BC688AA / BC689AA



BC491AA
Plastic pop-up waste
BC686AA
Metal pop-up waste
28 mm FirmaFlow® ceramic cartridge with hot water limiter
EasyFix® system
Slim aerator – 5 l/min
Supplied with flexible hoses G3/8
Decorative rosette part of the body (one piece)
SmartShine® Finishing
Comfort area: Height 105 mm



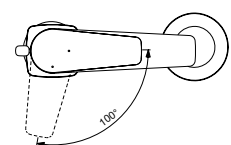
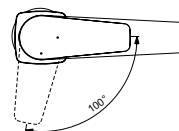
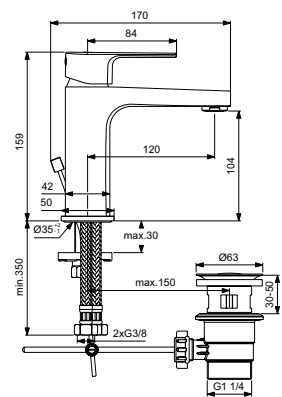
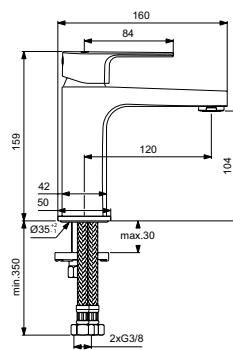
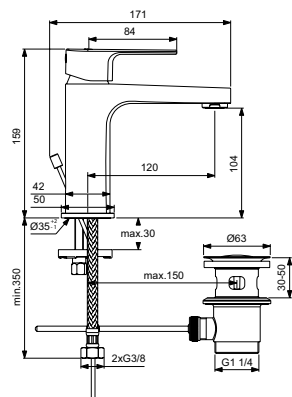
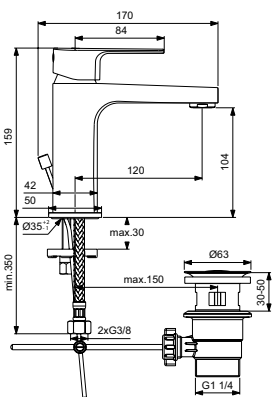
Metal pop-up waste
28 mm FirmaFlow® ceramic cartridge with hot water limiter
EasyFix® system
Slim aerator – 5 l/min
Supplied with flexible hoses G3/8
Decorative rosette part of the body (one piece)
Comfort area: Height 105 mm
Color: Grey pearl



BlueStart® Technology
28 mm FirmaFlow® ceramic cartridge with hot water limiter
EasyFix® system
Slim aerator – 5 l/min
Supplied with flexible hoses G3/8
Decorative rosette part of the body (one piece)
SmartShine® Finishing
Comfort area: Height 105 mm



BC688AA
Plastic pop-up waste
BC689AA
Metal pop-up waste
BlueStart® Technology
28 mm FirmaFlow® ceramic cartridge with hot water limiter
EasyFix® system
Slim aerator – 5 l/min
Supplied with flexible hoses G3/8
Decorative rosette part of the body (one piece)
SmartShine® Finishing
Comfort area: Height 105 mm



Cerafine D
Bidet Mixer
BC492AA / BC691AA



BC492AA
Plastic pop-up waste

BC691AA
Metal pop-up waste

28mm FirmaFlow® ceramic cartridge with hot water limiter

EasyFix® system

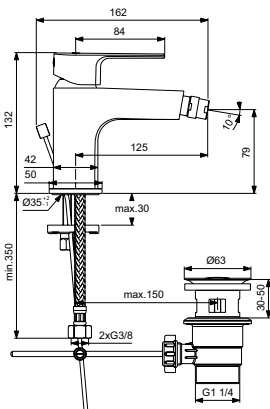
Slim aerator – 5l/min

Supplied with flexible hoses G3/8

Decorative rosette part of the body (one piece)

Ball joint M18x2

SmartShine® Finishing



Cerafine D
Bidet Mixer with BlueStart® Technology
BC746AA



BlueStart® Technology

28mm FirmaFlow® ceramic cartridge with hot water limiter

EasyFix® system

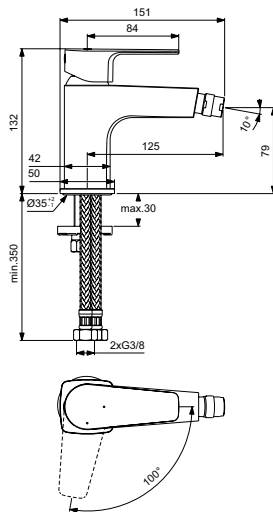
Slim aerator – 5l/min

Supplied with flexible hoses G3/8

Decorative rosette part of the body (one piece)

Ball joint M18x2

SmartShine® Finishing



Cerafine D
Bidet Mixer
BC690AA



28mm FirmaFlow® ceramic cartridge with hot water limiter

EasyFix® system

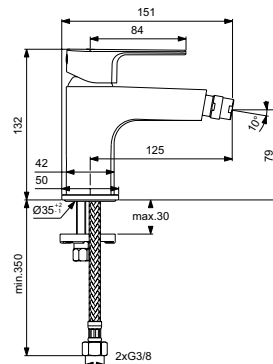
Slim aerator – 5l/min

Supplied with flexible hoses G3/8

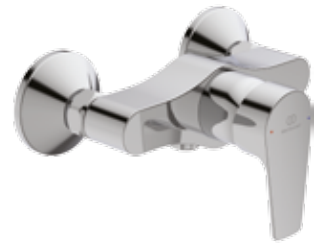
Decorative rosette part of the body (one piece)

Ball joint M18x2

SmartShine® Finishing



Cerafine D
Exposed Shower Mixer
BC493AA

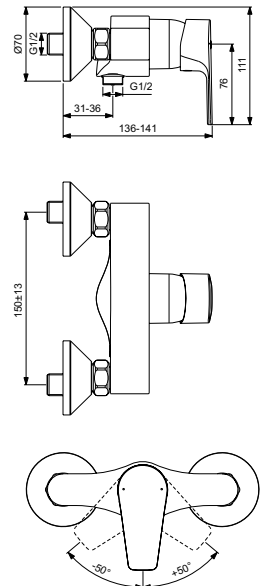


38mm FirmaFlow® ceramic cartridge with hot water limiter

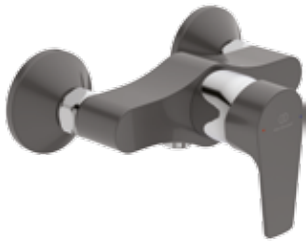
Check valve

Standard S-Connections

SmartShine® Finishing



Cerafine D
Exposed Shower Mixer
BC493U8



38 mm FirmaFlow® ceramic cartridge with hot water limiter

Check valve

Standard S-Connections

Color: Grey pearl

Cerafine D
Exposed Bath & Shower Mixer
BC692AA



38 mm FirmaFlow® ceramic cartridge with hot water limiter

Check valve

Automatic diverter

Standard S-Connections

Aerator Perlator

SmartShine® Finishing

Cerafine D
Exposed Bath & Shower Mixer
BC692U8



38 mm FirmaFlow® ceramic cartridge with hot water limiter

Check valve

Automatic diverter

Standard S-Connections

Aerator Perlator

Color: Grey pearl

Cerafine D
Exposed Bath & Shower
Mixer with Accessories
BC693AA



38 mm FirmaFlow® ceramic cartridge with hot water limiter

Check valve

Automatic diverter

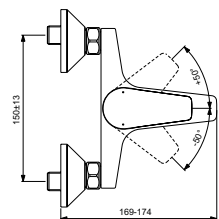
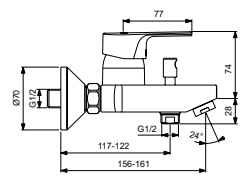
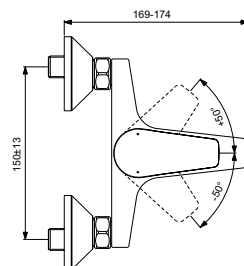
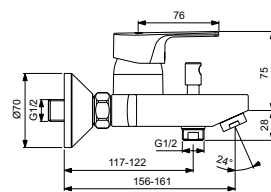
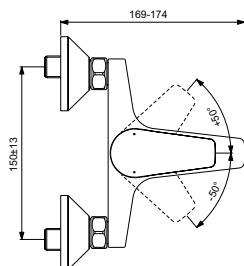
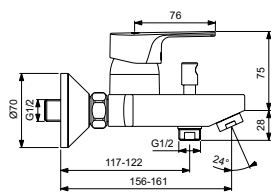
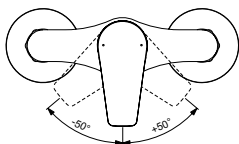
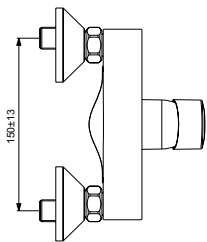
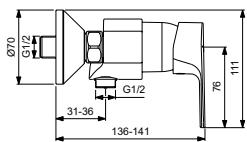
Standard S-Connections

Metal hose 1500 mm

Idealrain 80 mm – 1 function handspray

Fixed wall bracket

SmartShine® Finishing



Cerafine D
Exposed Bath & Shower Mixer
BC494AA



Cerafine D
Exposed Bath & Shower Mixer
BC494U8



Cerafine D
Built-in Shower Mixer
Kit 1 + Kit 2
A7188AA



Cerafine D
Built-in Shower Mixer
Kit 1 + Kit 2
A7188U8



38 mm FirmaFlow® ceramic cartridge with hot water limiter
Check valve
Manual ceramic diverter
Standard S-Connections
Aerator Perlator
SmartShine® Finishing



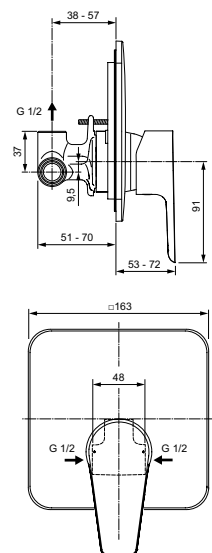
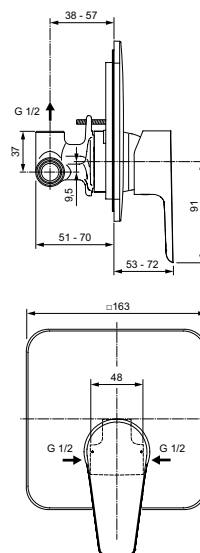
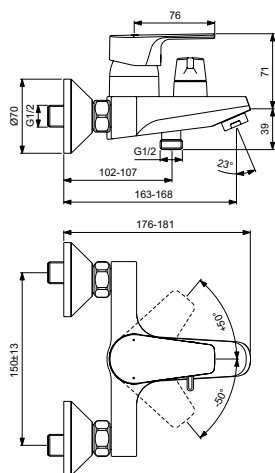
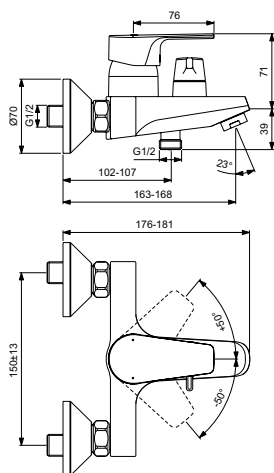
38 mm FirmaFlow® ceramic cartridge with hot water limiter
Check valve
Manual ceramic diverter
Standard S-Connections
Aerator Perlator
Color: Grey pearl



Kit 1 + Kit 2 version (complete set)
47 mm Click cartridge
Chrome plated plastic escutcheon
SmartShine® Finishing



Kit 1 + Kit 2 version (complete set)
47 mm Click cartridge
Metal escutcheon
Color: Grey pearl



Cerafine D
**Built-in Shower Mixer
 Kit 1 + Kit 2**
 A7189AA



Cerafine D
**Built-in Shower Mixer
 Kit 1 + Kit 2**
 A7189U8



Cerafine D
**Built-in Bath & Shower Mixer
 Kit 2**
 A7348AA



Cerafine D
**Built-in Shower Mixer
 Kit 2**
 A7347AA



Kit 1 + Kit 2 version (complete set)
 47 mm Click cartridge
 Automatic diverter
 Chrome plated plastic escutcheon
 SmartShine® Finishing



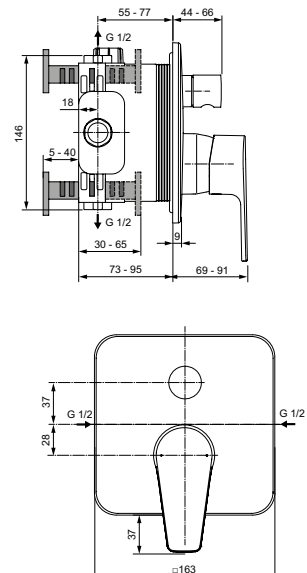
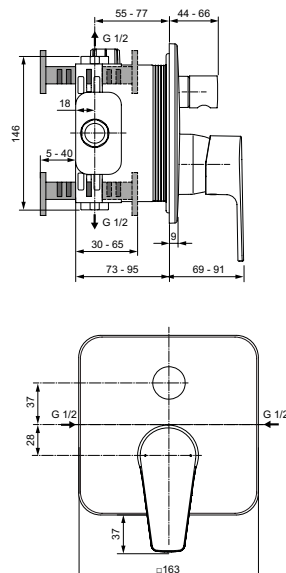
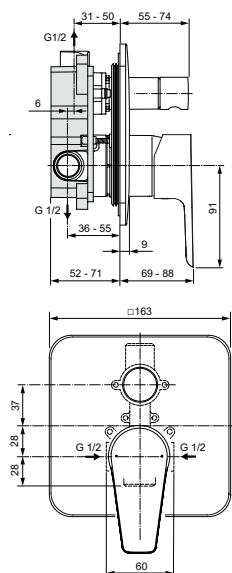
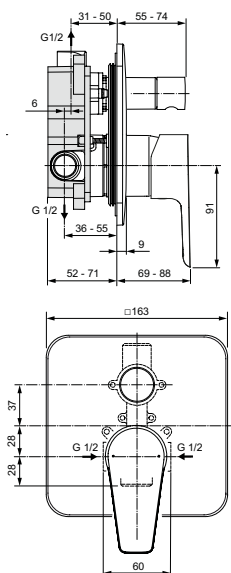
Kit 1 + Kit 2 version (complete set)
 47 mm Click cartridge
 Automatic diverter
 Metal escutcheon
 Color: Grey pearl



Kit 2 version (visible parts)
 47 mm Click cartridge
 Chrome plated plastic escutcheon
 Atomic diverter
 To be used only in combination with:
 A1000NU Kit 1 (internal part)
 SmartShine® Finishing



Kit 2 version (visible parts)
 47 mm Click cartridge
 Chrome plated plastic escutcheon
 To be used only in combination with:
 A1000NU Kit 1 (internal part)





5

CERAFINE O

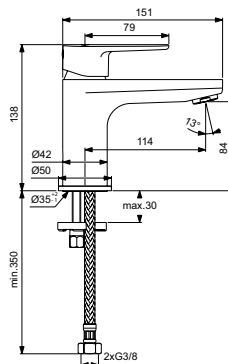
THE TAP THAT
MAKES A
STATEMENT

Distinguished by its beautiful design and outstanding performance, the Cerafine O is the tap to choose for luxury projects.

Cerafine O
Basin Mixer
BC696AA



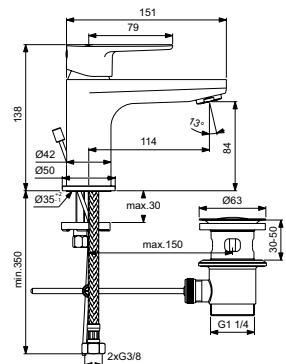
No pop-up waste
28 mm FirmaFlow® ceramic cartridge with hot water limiter
EasyFix® system
Slim aerator – 5 l/min
Supplied with flexible hoses G3/8
Decorative rosette part of the body (one piece)
SmartShine® Finishing
Comfort area: Height 80 mm



Cerafine O
Basin Mixer
BC698AA



Metal pop-up waste
28 mm FirmaFlow® ceramic cartridge with hot water limiter
EasyFix® system
Slim aerator – 5 l/min
Supplied with flexible hoses G3/8
Decorative rosette part of the body (one piece)
SmartShine® Finishing
Comfort area: Height 80 mm



Cerafine O
**Basin Mixer with
 BlueStart® Technology**
 BC697AA



No pop-up waste
 BlueStart® Technology
 28 mm FirmaFlow® ceramic disc cartridge
 EasyFix® system
 Slim aerator – 5 l/min
 Supplied with flexible hoses G3/8
 Decorative rosette part of the body (one piece)
 SmartShine® Finishing
 Comfort area: Height 80 mm

Cerafine O
Grande Basin Mixer
 BC554AA



No pop-up waste
 28 mm FirmaFlow® ceramic disc cartridge
 EasyFix® system
 Slim aerator – 5 l/min
 Supplied with flexible hoses G3/8
 Decorative rosette part of the body (one piece)
 SmartShine® Finishing
 Comfort area: Height 120 mm

Cerafine O
Grande Basin Mixer
 BC496AA / BC699AA

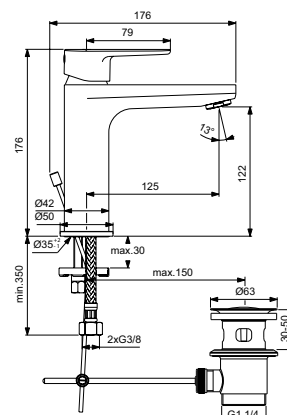
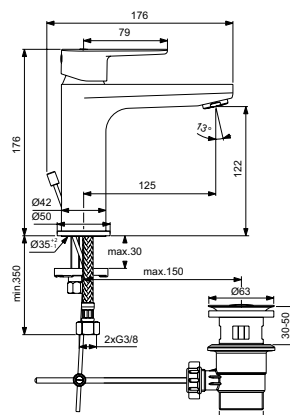
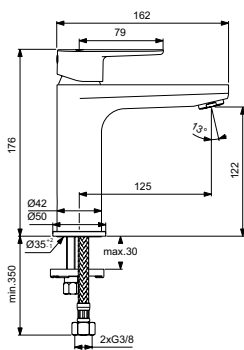
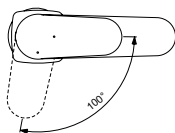
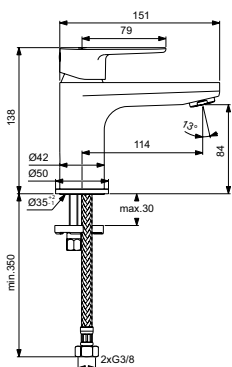


BC496AA
 Plastic pop-up waste
 BC699AA
 Metal pop-up waste
 28 mm FirmaFlow® ceramic disc cartridge
 EasyFix® system
 Slim aerator – 5 l/min
 Supplied with flexible hoses G3/8
 Decorative rosette part of the body (one piece)
 SmartShine® Finishing
 Comfort area: Height 120 mm

Cerafine O
Grande Basin Mixer
 BC699U4



Metal pop-up waste
 28 mm FirmaFlow® ceramic disc cartridge
 EasyFix® system
 Slim aerator – 5 l/min
 Supplied with flexible hoses G3/8
 Decorative rosette part of the body (one piece)
 Comfort area: Height 120 mm
 Color: Black Matt



Cerafine O
Grande Basin Mixer
 with BlueStart® Technology
 BC700AA



No pop-up waste
 BlueStart® Technology
 28 mm FirmaFlow® ceramic disc cartridge
 EasyFix® system
 Slim aerator – 5 l/min
 Supplied with flexible hoses G3/8
 Decorative rosette part of the body (one piece)
 SmartShine® Finishing
 Comfort area: Height 120 mm

Cerafine O
Grande Basin Mixer
 with BlueStart® Technology
 BC701AA / BC702AA



BC701AA
 Plastic pop-up waste
 BC702AA
 Metal pop-up waste
 BlueStart® Technology
 28 mm FirmaFlow® ceramic disc cartridge
 EasyFix® system
 Slim aerator – 5 l/min
 Supplied with flexible hoses G3/8
 Decorative rosette part of the body (one piece)
 SmartShine® Finishing
 Comfort area: Height 120 mm

Cerafine O
Side Handle Grande Basin Mixer
 BC555AA

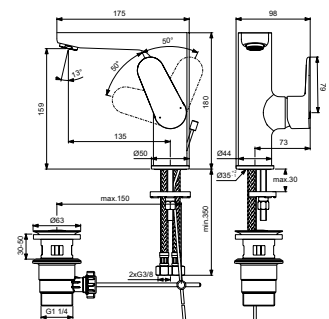
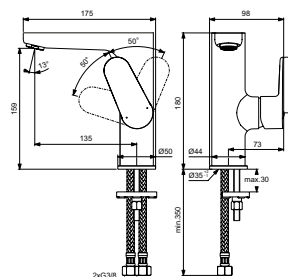
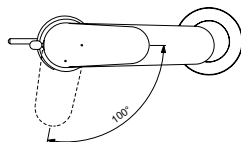
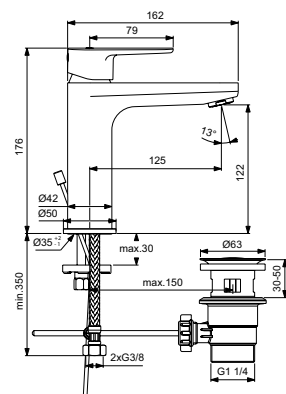
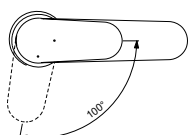
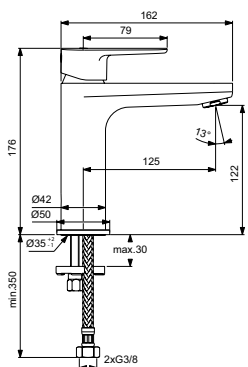


No pop-up waste
 28 mm FirmaFlow® ceramic disc cartridge
 EasyFix® system
 Slim aerator – 5 l/min
 Supplied with flexible hoses G3/8 PEX
 Decorative rosette part of the body (one piece)
 SmartShine® Finishing
 Comfort area: Height 155 mm

Cerafine O
Side Handle Grande Basin Mixer
 BC497AA



Plastic pop-up waste
 28 mm FirmaFlow® ceramic disc cartridge
 EasyFix® system
 Slim aerator – 5 l/min
 Supplied with flexible hoses G3/8
 Decorative rosette part of the body (one piece)
 SmartShine® Finishing
 Comfort area: Height 155 mm



Cerafine O
**Side Handle Grande
 Basin Mixer**
 BC703AA



Cerafine O
**Side Handle Grande
 Basin Mixer**
 BC703U4



Cerafine O
Bidet Mixer
 BC498AA



Cerafine O
Bidet Mixer
 BC705AA



Metal pop-up waste
 28 mm FirmaFlow® ceramic disc cartridge
 EasyFix® system
 Slim aerator – 5 l/min
 Supplied with flexible hoses G3/8
 Decorative rosette part of the body (one piece)
 SmartShine® Finishing
 Comfort area: Height 155 mm



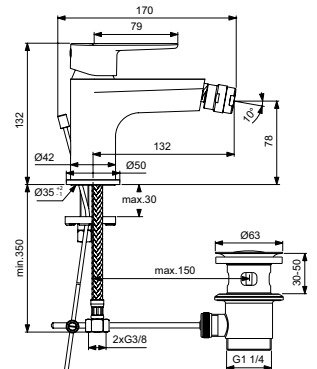
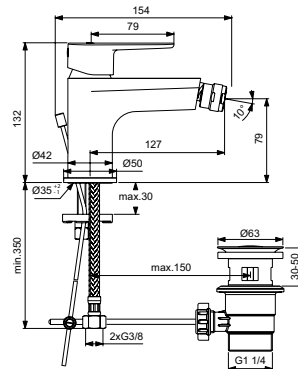
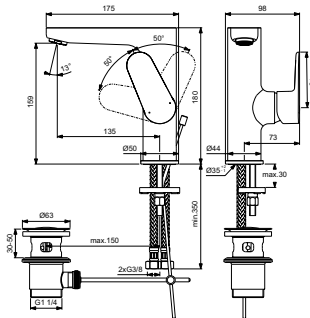
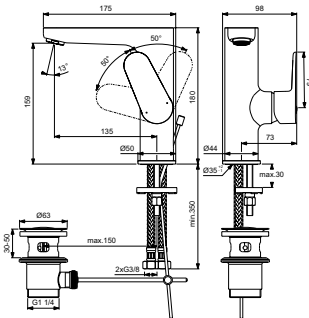
Metal pop-up waste
 28 mm FirmaFlow® ceramic disc cartridge
 EasyFix® system
 Slim aerator – 5 l/min
 Supplied with flexible hoses G3/8
 Decorative rosette part of the body (one piece)
 Comfort area: Height 155 mm
 Color: Black Matt



Plastic pop-up waste
 28 mm FirmaFlow® ceramic disc cartridge
 EasyFix® system
 Aerator with ball joint and 5 l/min limiter
 Supplied with flexible hoses G3/8
 Decorative rosette part of the body (one piece)
 SmartShine® Finishing



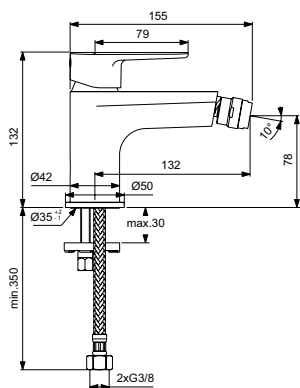
Metal pop-up waste
 28 mm FirmaFlow® ceramic disc cartridge
 EasyFix® system
 Aerator with ball joint and 5 l/min limiter
 Supplied with flexible hoses G3/8
 Decorative rosette part of the body (one piece)
 SmartShine® Finishing



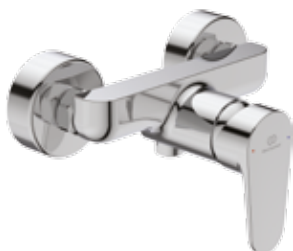
Cerafine O
Bidet Mixer
BC704AA



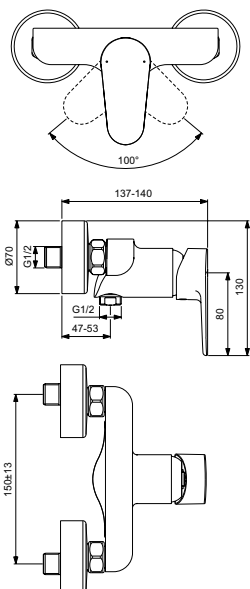
No pop-up waste
28 mm FirmaFlow® ceramic disc cartridge
EasyFix® system
Aerator with ball joint and 5 l/min limiter
Supplied with flexible hoses G3/8
Decorative rosette part of the body (one piece)
SmartShine® Finishing



Cerafine O
Exposed Shower Mixer
BC499AA



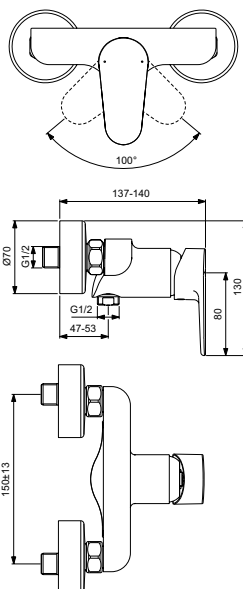
38 mm FirmaFlow® ceramic disc cartridge
Check valve
Standard S-Connections
SmartShine® Finishing



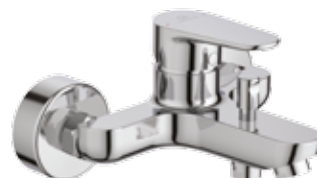
Cerafine O
Exposed Shower Mixer
BC499U4



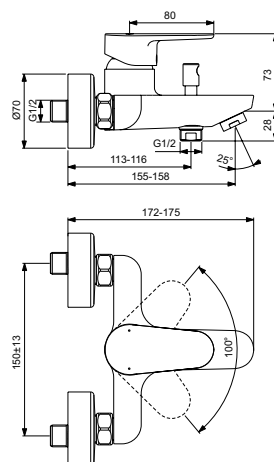
38 mm FirmaFlow® ceramic disc cartridge
Check valve
Standard S-Connections
Color: Black Matt



Cerafine O
Exposed Bath & Shower Mixer
BC500AA



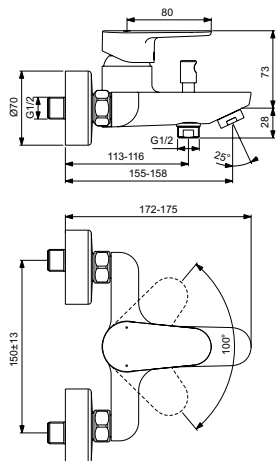
38 mm FirmaFlow® ceramic disc cartridge
Check valve
Standard S-Connections
Aerator Perlator
Automatic diverter
SmartShine® Finishing



Cerafine O
Exposed Bath & Shower Mixer
 BC500U4



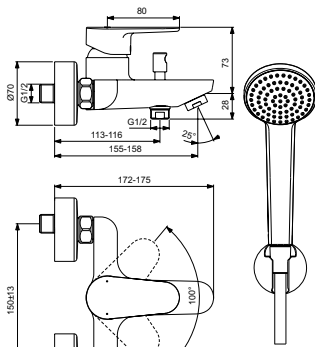
38 mm FirmaFlow® ceramic disc cartridge
 Check valve
 Standard S-Connections
 Aerator Perlator
 Automatic diverter
 Color: Black Matt



Cerafine O
Exposed Bath & Shower Mixer with Accessories
 BC706AA



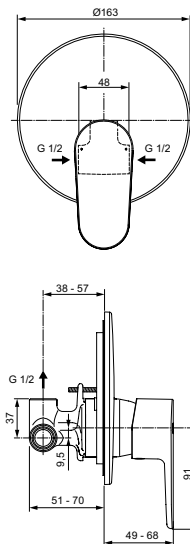
38 mm FirmaFlow® ceramic disc cartridge
 Check valve
 Standard S-Connections
 Aerator Perlator
 Automatic diverter
 Accessories:
 -fixed wall bracket,
 -80 mm 1F hand shower,
 -metal shower hose 1500 mm
 SmartShine® Finishing



Cerafine O
Built-in Shower Mixer Kit 1 + Kit 2
 A7192AA



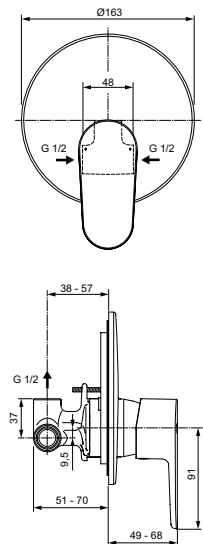
Kit 1 + Kit 2 version (complete set)
 47 mm Click cartridge
 Chrome plated plastic escutcheon
 SmartShine® Finishing



Cerafine O
Built-in Shower Mixer Kit 1 + Kit 2
 A7192U4



Kit 1 + Kit 2 version (complete set)
 47 mm Click cartridge
 Metal escutcheon
 Color: Black Matt



Cerafine O
**Built-in Bath & Shower Mixer
 Kit 1 + Kit 2**
 A7193AA



Cerafine O
**Built-in Bath & Shower Mixer
 Kit 1 + Kit 2**
 A7193U4



Cerafine O
**Built-in Bath & Shower Mixer
 Kit 2**
 A7350AA



Cerafine O
**Built-in Shower Mixer
 Kit 2**
 A7349AA



Kit 1 + Kit 2 version (complete set)
 47 mm Click cartridge
 Automatic diverter
 Chrome plated plastic escutcheon
 Kit 1 included (A1300NU)
 SmartShine® Finishing



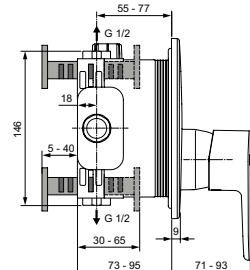
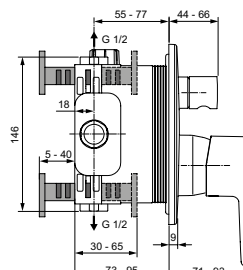
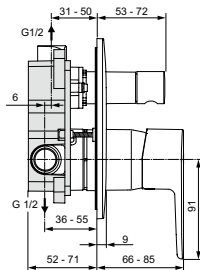
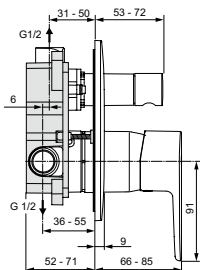
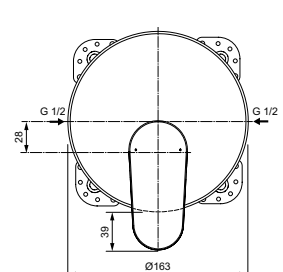
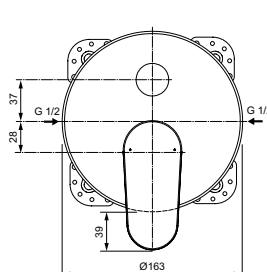
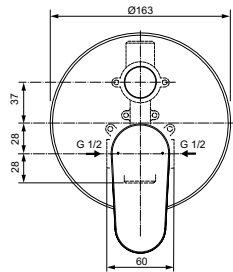
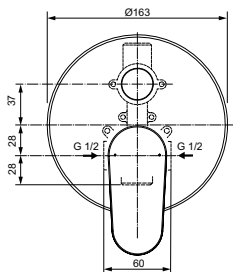
Kit 1 + Kit 2 version (complete set)
 47 mm Click cartridge
 Automatic diverter
 Metal escutcheon
 Kit 1 included (A1300NU)
 Color: Black Matt



Kit 2 version (visible parts)
 47 mm Click cartridge
 Chrome plated plastic escutcheon
 Automatic diverter
 SmartShine® Finishing
 To be used only in combination with:
 A1000NU Kit 1 (internal part)



Kit 2 version (visible parts)
 47 mm Click cartridge
 Chrome plated plastic escutcheon
 Automatic diverter
 SmartShine® Finishing
 To be used only in combination with:
 A1000NU Kit 1 (internal part)



The Cera Family

SUMMARY



Ceraflex



Ceraline



Ceraplan III



Cerafine D



Cerafine O

Together we positively impact the future of modern living. Together we think bigger. Together we establish the rules for considered design. Together we bring emotion to functional perfection. Together we form enduring partnerships. Together we meet the needs of all generations. Together we shape the future of the category we have defined.

Together for Better.



Ideal Standard

Ideal Standard-Vidima AD

53 Marin Popov Street
5400 Sevlievo, Bulgaria
Tel: +359 675 30362
office@idealstandard.com

Representative office, Riga

A. Briana str. 9a,
Riga, LV- 1001, Latvia
Tel: +371 673 57 792
Fax: +371 673 57 795
VDorogoi@IdealStandard.com

Representative Office, Bucharest

Cotroceni Business Center
Bd. Iuliu Maniu, nr 7, corp T,
061072 Bucharest, Romania
Tel/Fax: +40 21 322 3201
Tel/Fax: +40 21 322 3202
OfficeBucharest@idealstandard.com

Representative office, Belgrade

Drinčićeva no.19, apartment no.8
11000 Belgrade, Serbia
Tel/Fax: +381 11 7138 058
Tel/Fax: +381 11 7138 059
OBelgrade@IdealStandard.com

Representative Office, Budapest

IS-Hun Kft
1221 Budapest
Aranyfácán u 20
Tel: +36 30 6991 594
ZGarai@idealstandard.com

**Contact for Albania, Kosovo
and Bosnia & Herzegovina**

Tel: +359 887 709 696
IMichev@idealstandard.com

Contact for Croatia

Tel: +38591 22 99 304
HPavicic@idealstandard.com

Contact for Slovenia

Tel: +39 040 2158058
info@liaison.it



Ideal Standard