

# CERATHERM T & FIRMAFLOW® THERM

POWERING THE EVERYDAY



Ideal Standard



POWERING THE EVERYDAY

# CERATHERM T & FIRMAFLOW® THERM

05	Powering the everyday
06	Hidden brilliance since 1969
08	Performance that goes on and on
09	Engineered to last
10	Efficiently enjoyable
12	Powering a safer shower
14	Designed to impress
16	Versatile fitting
18	Elevate the experience
20	Made for maximum comfort
22	From invigorating to relaxing
24	The Ceratherm T range
26	The Ceratherm T100
30	The Ceratherm T50
34	The Ceratherm T25
38	Technical information
50	Contact



Ultra Flat S – Shower Tray 120x80cm, White / Ceratherm T50 – Thermostatic Shower Mixer with Idealrain EVO Round Showerkit 90cm Bin – Basin Mixer / Strada II – Vessel Basin 60cm / Adapto – Worktop 85cm, White Gloss / Mirror – 100cm with Ambient Light

Ceratherm T & FirmaFlow® Therm

# POWERING THE EVERYDAY

Ideal Standard's Ceratherm T collection performs beautifully, because we design every model from the inside out. Thanks to the hidden brilliance of FirmaFlow® Therm, you can enjoy unrivalled levels of durability, safety and performance – with an ergonomic design that delivers, day after day.

FirmaFlow® Therm

# HIDDEN BRILLIANCE SINCE 1969

**The original, perfected.**

We invented the ceramic disc cartridge for taps over 50 years ago, revolutionising the bathroom experience.

Since then we've been perfecting our technology and innovating new ideas – like FirmaFlow® Therm. This new innovative thermostatic cartridge for shower systems offers unrivalled quality, durability and performance.



We wanted the Ceratherm T range to perform brilliantly, yet be as slim as possible. To achieve this we developed FirmaFlow® Therm, a revolutionary smaller thermostatic cartridge. It provides safety and efficiency, while enabling us to create a streamlined design, ideal for any bathroom project.

FirmaFlow® Therm

# PERFORMANCE THAT GOES ON AND ON

It's not by chance  
that Ceratherm T  
delivers, time  
after time.

Made from limescale-resistant  
polymer and with a fine strainer  
mesh welded on, FirmaFlow®  
Therm is designed to power  
every product in the range over  
a long, problem-free service life.  
Making Ceratherm T the right  
choice for both high- and  
low-traffic environments.





FirmaFlow® Therm

# ENGINEERED TO LAST

Easy to maintain  
and extensively  
tested.

Thanks to the incredible durability of FirmaFlow® Therm, performance is assured, year after year. When maintenance is required, we've made sure components are easy to source and replace.

For example, we use a single cartridge for all our mixers – including bath mixers – reducing the time it takes to locate the right parts and saving you money.



FirmaFlow® Therm

# EFFICIENTLY ENJOYABLE

Reduced Consumption

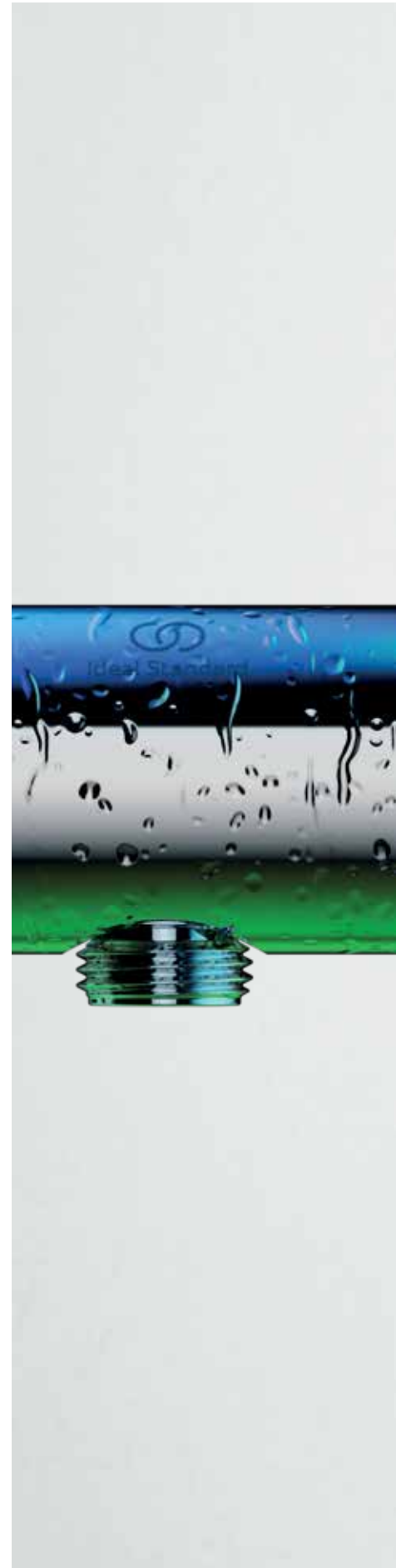
Less water, less energy.  
More power to you.

Our integrated controls reduce waste in a number of ways when compared to traditional lever faucets.

The efficiency of FirmaFlow® Therm ensures target temperatures are reached far quicker, saving energy. The eco-setting allows you to limit flow up to 50% without any loss of performance. And our Idealrain handspray is fitted with a flow restrictor to provide maximum water efficiency.

Water consumption matters – that's why we don't waste a single extra drop. The water temperature in our thermostatic mixers is preset and remains constant during use. And the thermostatic mechanism automatically controls the warm and cold water flows, helping you to save water.

These innovations not only reduce water consumption but improve the delivery of every drop. At a time when water is recognised as an increasingly valuable resource, they are part of our commitment to preserving it through everyday life.





Ceratherm T

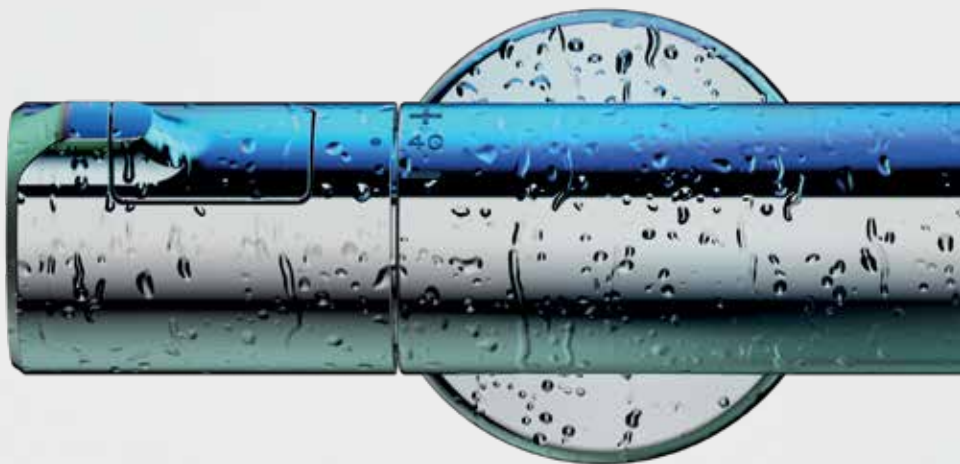
# POWERING A SAFER SHOWER

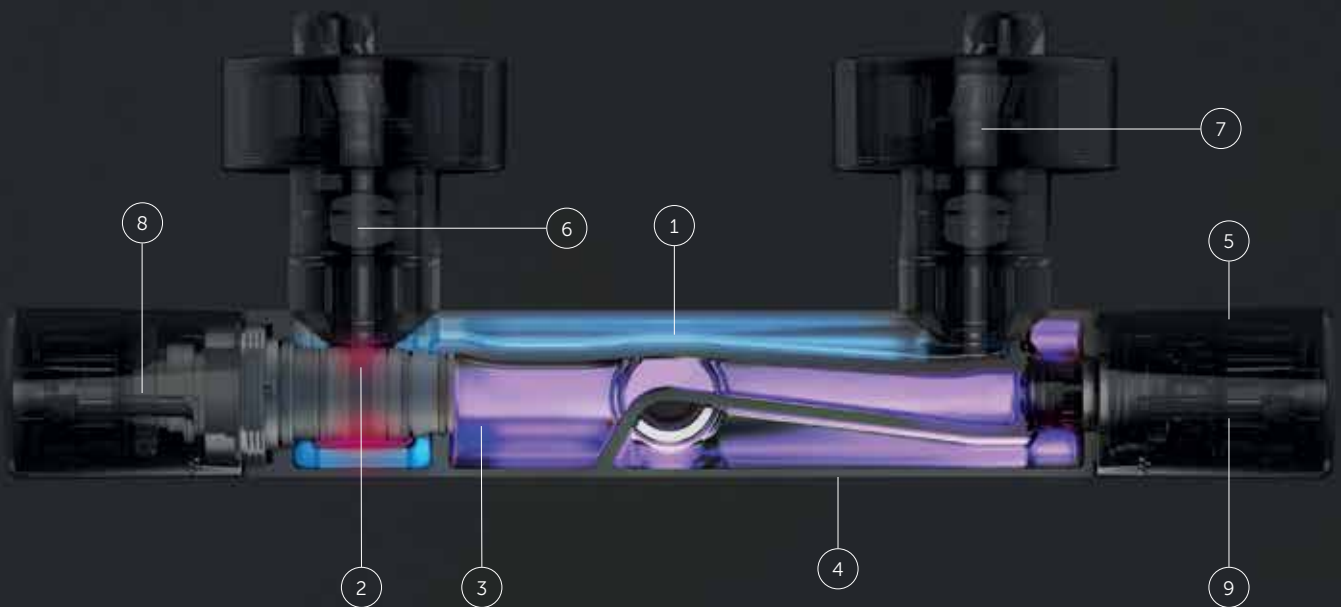
The technology behind Ceratherm T isn't just smart, it's safe – making it the perfect choice for all applications.

Cool Body

Cool under  
pressure.

Whatever your preferred temperature, Ceratherm T stays cool to the touch. The entire range uses Cool Body technology to ensure the hot water flow is always surrounded by cold water, protecting users of all ages from scalding, and offering total comfort of use.





## Temperature Control

Just right,  
every time.

A perfect bath or shower has to be the perfect temperature. FirmaFlow® Therm allows installers to preset a desired temperature level. You can also choose to set a maximum limit, which can be altered with the push of a button.

Should the hot or cold water supply unexpectedly cut off, FirmaFlow® Therm will automatically stop the shower to protect from shocks and scalds – restarting under your control when the water supply returns.

1. Cold water chamber
2. Hot water inlet
3. Mixed water
4. Cylindrical, chrome plated brass body
5. Ergonomical handle, same for volume and temperature
6. Common fixation
7. Escutecheons with fully hidden fixation for some models
8. FirmaFlow® Therm
9. Ceramic disc valve with life cycle of at least 500.000 on/off cycles



Ceratherm T

# DESIGNED TO IMPRESS

Compact

Precision  
performance.

By refining the hidden brilliance of FirmaFlow® Therm we've been able to make the Ceratherm T body slimmer and more compact than ever before. Creating a shower that makes a stylish addition to any space.

Ergonomic

Total control.

With buttons and controls that blend seamlessly into the Ceratherm T's body, the flow and temperature of the water can be adjusted with the touch of a finger. A built-in diverter effortlessly switches between different outlets and a range of accessories – including hand sprays and ergonomic shelving options – offer even greater choice and control.





Ceratherm T100 – Thermostatic Shower Mixer with Idealrain EVO JET Diamond Showerkit 90cm / Strada – Shower Tray 120x80cm, White / Connect 2 – Sliding Door 117x61cm / Connect 2 – Side Panel 77cm

Ceratherm T

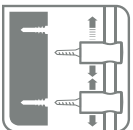
# VERSATILE FITTING

Easy to install

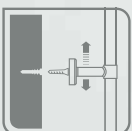
Ready to go.

Precalibrated in our factory, and with a streamlined design, common connections and adjustable fittings, Ceratherm T can be installed easily in almost any location.

The adjustable bracket allows for installation to cover existing holes, and the sleek form and hidden fixation makes it easy to achieve and maintain a clean finish.







- 1. Ceratherm T100 concealed fixture
- 2. Moveable wall bracket

Ceratherm T

## ELEVATE THE EXPERIENCE

Beautifully designed and built to perform, our diverter mixer shower and handsprays are the perfect partners to our FirmaFlow® technology. Working together to deliver an unrivalled shower experience, day after day.

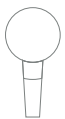
The Idealrain range effortlessly complements our thermostatic diverter mixer shower systems.

EVO has an aerated spray mode. While EVO JET features Drop Jet, a unique pattern from Ideal Standard, creating larger, softer droplets for added luxury. Using the Navigo® push button located on the handspray, switching between modes couldn't be easier.

Our diverter mixer showers are easy to fit, perform brilliantly and deliver design choices suitable for any bathroom.



Idealrain



EVO round



EVO diamond

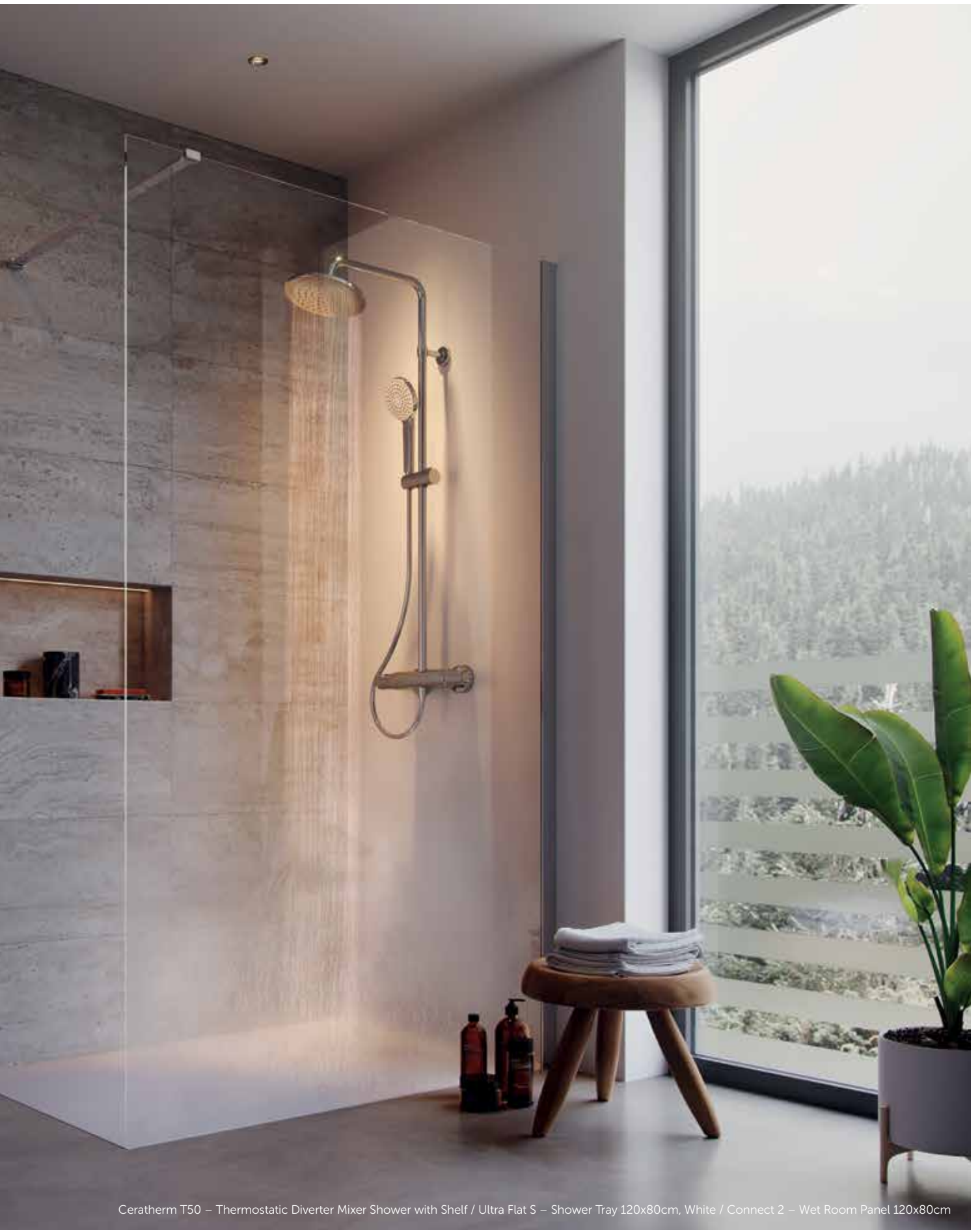


EVO JET round



EVO JET diamond





Ceratherm T50 – Thermostatic Diverter Mixer Shower with Shelf / Ultra Flat S – Shower Tray 120x80cm, White / Connect 2 – Wet Room Panel 120x80cm

Idealrain Handspray

# MADE FOR MAXIMUM COMFORT

Idealrain offers a personalised showering experience. Large handsprays ensure maximum comfort and edge-to-edge nozzles are designed to create big indulgent downpours.



Idealrain



EVO  
round



EVO  
diamond



EVO JET  
round



EVO JET  
diamond



Idealrain Handspray

## FROM INVIGORATING TO RELAXING

### Idealrain spray modes

There's a choice of varying spray modes to match your mood.



#### DROP JET

The luxurious EVO JET model spray uses Drop Jet technology – a unique pattern from Ideal Standard – to create softer water droplets.



#### MASSAGE

An invigorating spray that refreshes and revitalises.



#### RAIN

A relaxing downpour created by edge-to-edge nozzles.



#### AERATED RAIN

An EVO model spray that sucks air into the water for a gentler, cleansing experience.



#### FINE RAIN

A gentle but generous spray that cleanses and calms.

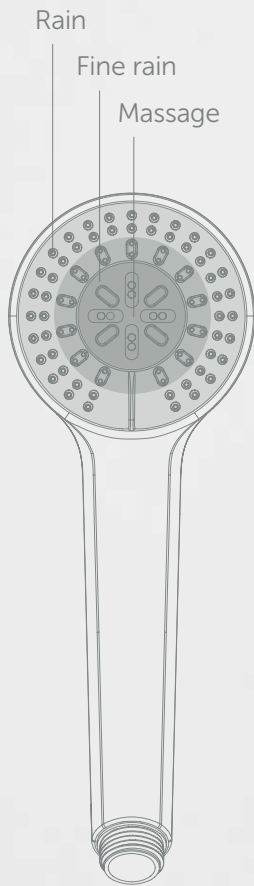
3 SHOWERING FUNCTIONS

3 spray modes for a great showering experience.



MAXIMUM SPRAY

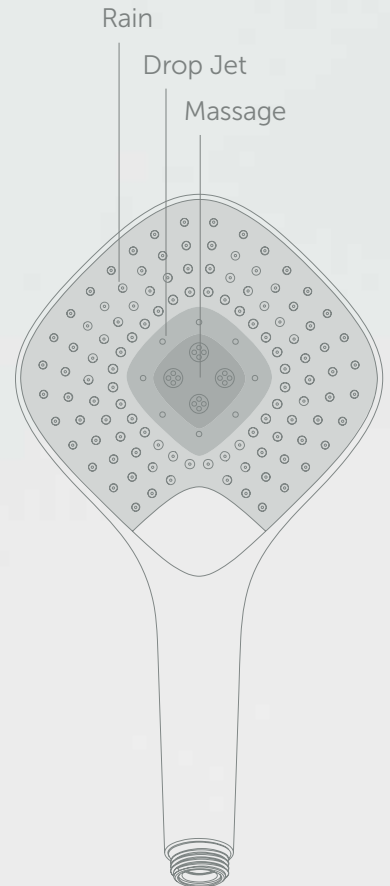
The edge-to-edge nozzle design maximises spray.



Idealrain



EVO round

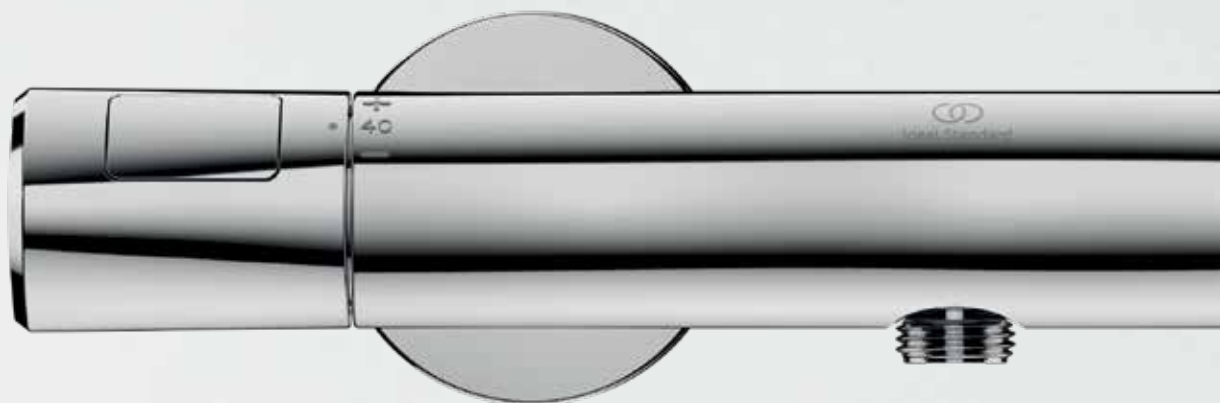


EVO JET diamond

	DROP JET	MASSAGE	RAIN	AERATED RAIN	FINE RAIN
Idealrain EVO JET	•	•	•		
Idealrain EVO		•	•	•	
Idealrain		•	•		•

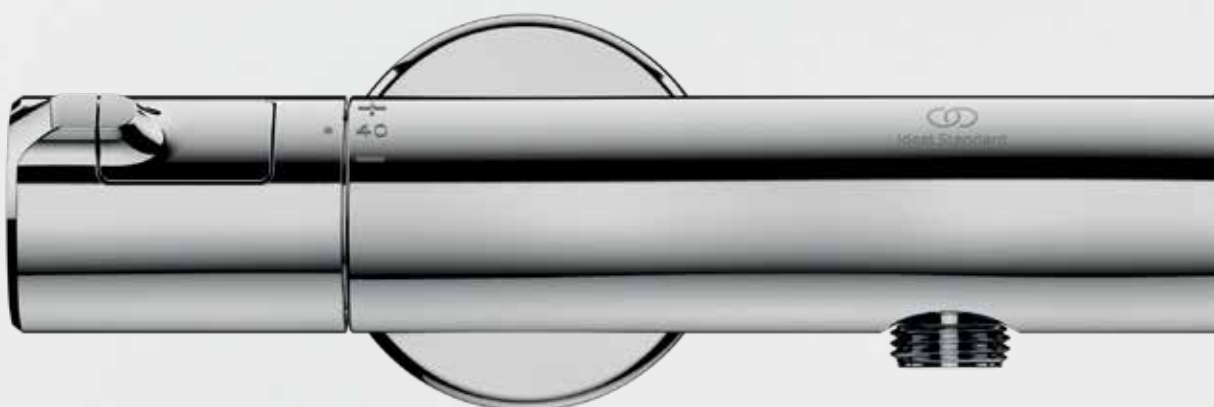
---

T100



---

T50



---

T25

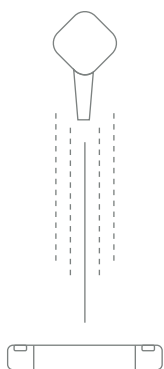




Ceratherm T

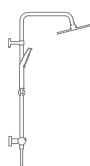
# THE POWER OF CHOICE

The Ceratherm T range's different models unlock a greater choice of mixer options and accessories – including our Idealrain handsprays – giving you everything you need to create the centrepiece of your bathroom.



CERATHERM  
T100. T50. T25

# CERATHERM T100



Diverter Mixer  
Shower System



Bath



Shower



Idealrain



EVO  
round



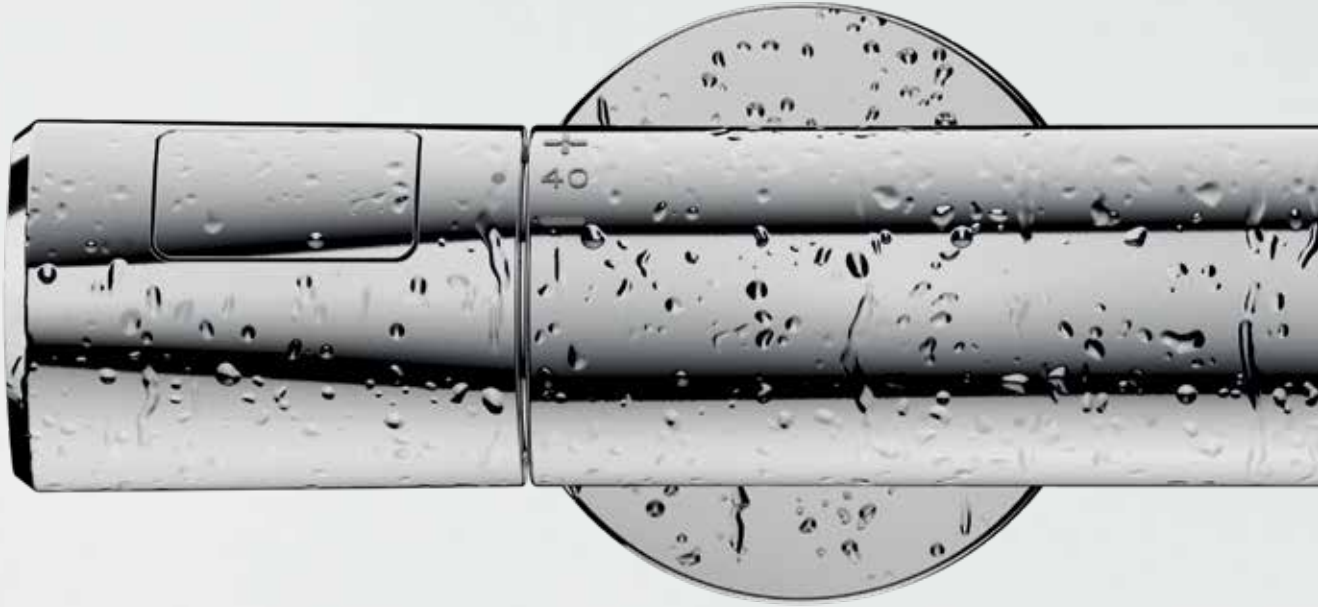
EVO  
diamond



EVO JET  
round



EVO JET  
diamond



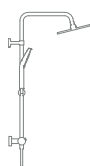
The controls of the Ceratherm T100 are flush with the body, complementing the elegant and slim design of the mixer body. Choose to fit with Easymount 600 or 900mm rails, and enhance with EVO or EVO JET handsprays with Navigo® push button controls.



Ceratherm T100 – Thermostatic Diverter Mixer Shower / Ultra Flat – Shower Tray 120x80cm, White / Connect 2 – Wet Room Panel 120x80cm / Strada II – Vessel Basin 75cm / Adapto – Worktop 85cm, White Gloss / Edge – Wall Mounted Mixer / Mirror – 100x70cm



# CERATHERM T50



Diverter Mixer  
Shower System



Bath



Shower



Idealrain



EVO  
round



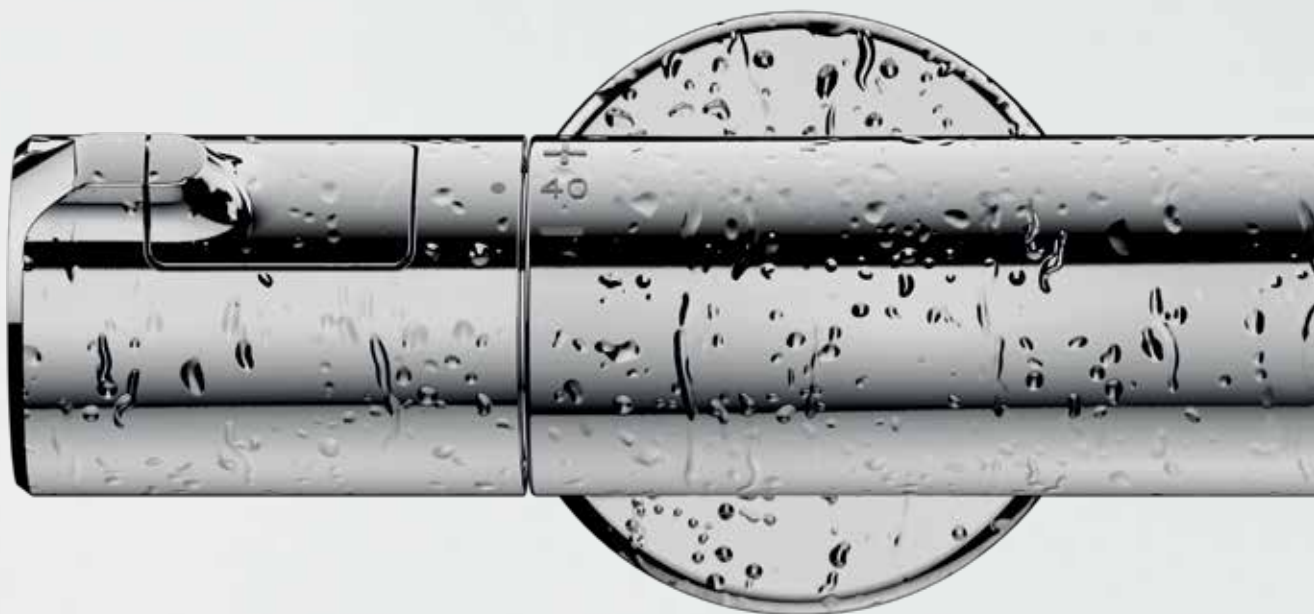
EVO  
diamond



EVO JET  
round



EVO JET  
diamond



Featuring an integrated thumb grip, the Ceratherm T50 offers users greater control. Combines perfectly with Easymount 600 and 900mm rails, plus 110mm EVO handspray with Navigo® push button controls.







# CERATHERM T25



Diverter Mixer  
Shower System



Bath



Shower



Idealrain



EVO  
round



EVO  
diamond



EVO JET  
round



EVO JET  
diamond

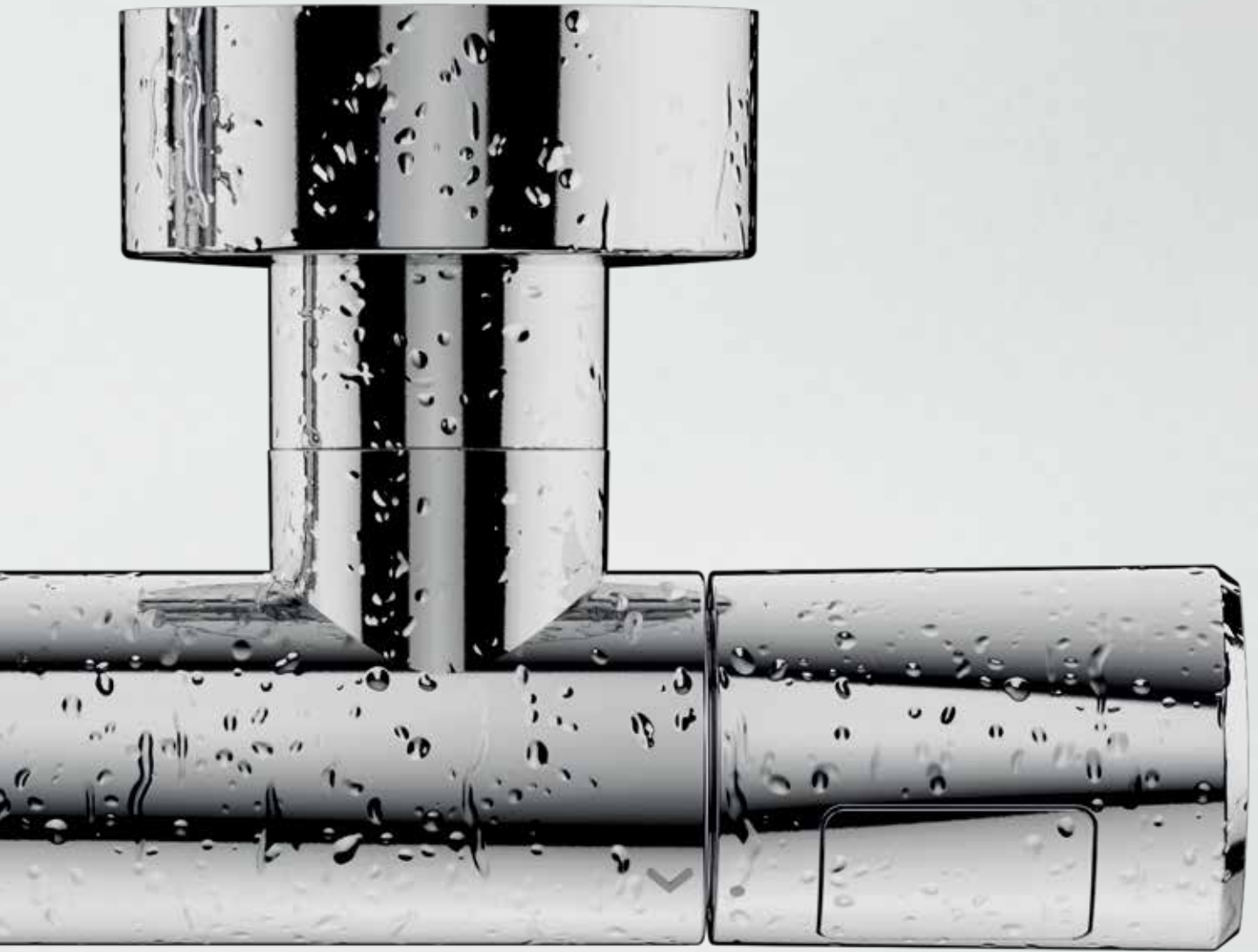


The Ceratherm T25 features a raised button for improved grip and control. Simple to fit with Easymount 600 and 900mm rails. It works brilliantly with the 80 and 100mm multifunction Idealrain handsprays.























TECHNICAL  
INFORMATION

KEY

-  Cool body
-  Water and energy savings
-  Temperature safety button
-  Easyfix
-  Extra storage
-  Easymount
-  Easymount (shower system)
-  Idealflex
-  Large size shower
-  3 showering functions
-  Navigo® switch
-  Drop spray
-  Easy clean showering
-  5 year guarantee

CERATHERM  
T100

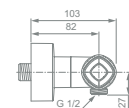
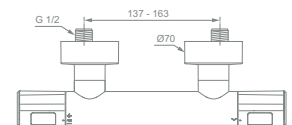
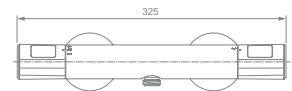
Ceratherm T100  
**Exposed Thermostatic  
Shower Mixer**  
A7229AA



Cool body  
Diamond metal handles with hot water at 40°C stop button and 50% water volume stop button

Water and energy savings  
5 year guarantee

Optional equipment:  
Wrap over shelf - A7215AA



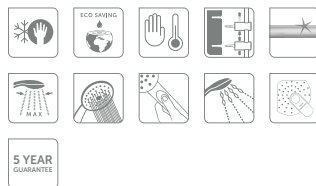


Ceratherm T100  
Exposed Thermostatic  
Bath Shower Mixer  
A7238AA



Integrated rotary ceramic diverter to select handshower or spout  
Cool body  
Diamond metal handles with hot water at 40°C stop button and 50% water volume stop button  
Water and energy savings  
Perlator aerator  
5 year guarantee

Ceratherm T100  
Thermostatic Shower  
Mixer with Fixed Riser  
& EVO JET Handspray  
A7234AA / A7235AA



A7234AA  
600mm Fixed Riser  
A7235AA  
900mm Fixed Riser  
Cool body  
Diamond metal handles with hot water at 40°C stop button and 50% water volume stop button  
Water and energy savings  
135mm Multifunction Idealrain EVO JET Diamond handspray with Navigo® push button 8 l/min  
Unique drop spray mode  
Easy clean  
Easymount shower rail allows reuse of existing wall-mounting holes and simple adjustment  
Includes smooth, wipe clean and durable 1750mm Idealflex hose  
Optional equipment:  
Wrap over shelf - A7215AA  
5 year guarantee

	A7234AA	A7235AA
X	max. 565	max. 865

Ceratherm T100  
Exposed Shower System  
with Thermostatic Mixer,  
EVO Handspray & Rainshower  
A7240AA

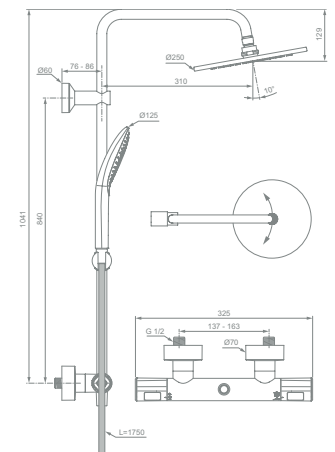
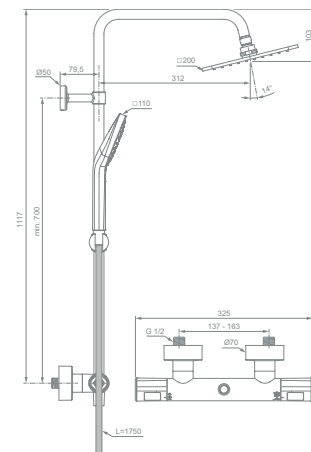
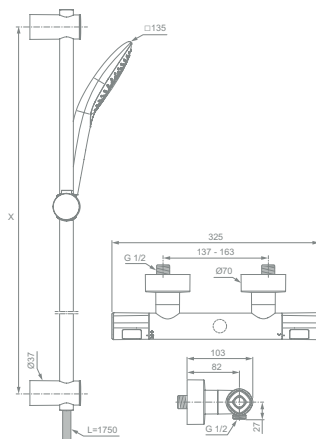
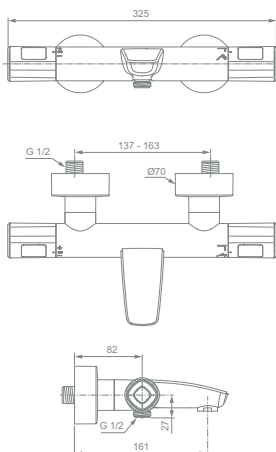


Integrated ceramic diverter to select handspray or showerhead  
Cool body  
Diamond metal handles with hot water at 40°C stop button and 50% water volume stop button  
Water and energy savings  
110mm 3-Functional Idealrain EVO Diamond handspray with Navigo® push button 8 l/min  
Easy clean  
Includes smooth, wipe clean and durable 1750mm Idealflex hose  
Easymount riser pipe allows reuse of existing wall-mounting holes and simple adjustment  
200x200mm metal showerhead 12 l/min  
Optional equipment:  
Riser rail extension 150mm - A861379AA  
Riser rail extension 300mm - A861380AA  
5 year guarantee

Ceratherm T100  
Exposed Shower System with  
Thermostatic Mixer, EVO JET  
Handspray & Rainshower  
A7241AA



Integrated ceramic diverter to select handspray or showerhead  
Cool body  
Diamond metal handles with hot water at 40°C stop button and 50% water volume stop button  
Water and energy savings  
125mm Ø 3-Functional Idealrain EVO JET Round handspray with Navigo® push button 8 l/min  
Unique drop spray mode  
Easy clean  
Swivelling shower arm  
Includes smooth, wipe clean and durable 1750mm Idealflex hose  
250mm Ø 2-functional metal showerhead 12 l/min  
Optional equipment:  
Riser rail extension 150mm A861379AA  
Riser rail extension 300mm A861380AA  
5 year guarantee

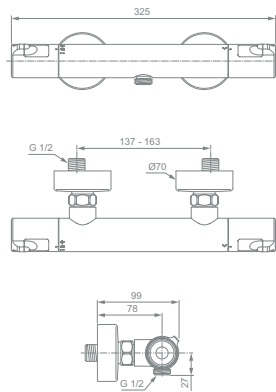


CERATHERM  
T50

Ceratherm T50  
**Exposed Thermostatic  
Shower Mixer**  
A7214AA



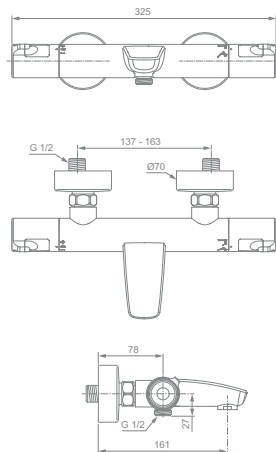
Cool body  
Fin Metal handles with hot water at 40°C stop button and 50% water volume stop button  
Water and energy savings  
Optional equipment:  
Wrap over shelf - A7215AA  
5 year guarantee



Ceratherm T50  
**Exposed Thermostatic  
Bath Shower Mixer**  
A7223AA



Integrated rotary ceramic diverter to select handshower or spout  
Cool body  
Fin Metal handles with hot water at 40°C stop button and 50% water volume stop button  
Water and energy savings  
Perlator aerator  
5 year guarantee

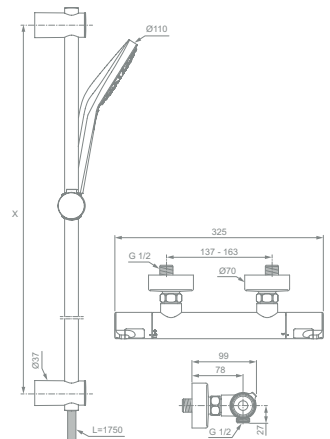


Ceratherm T50  
**Thermostatic Shower  
Mixer with Fixed Riser  
& EVO Handspray**  
A7217AA / A7218AA



**A7217AA**  
600mm Fixed Riser  
**A7218AA**  
900mm Fixed Riser  
Cool body  
Fin Metal handles with hot water at 40°C stop button and 50% water volume stop button  
Water and energy savings  
110mm Ø 3-Functional Idealrain EVO Round handspray with Navigo® push button 8 l/min  
Easy clean  
Easymount shower rail allows reuse of existing wall-mounting holes and simple adjustment  
Includes smooth, wipe clean and durable 1750mm Idealflex hose  
Optional equipment:  
Wrap over shelf - A7215AA  
5 year guarantee

	<b>A7217AA</b>	<b>A7218AA</b>
X	max. 565	max. 865



Ceratherm T50  
**Exposed Shower System  
 with Thermostatic Mixer,  
 EVO Handspray & Rainshower**  
 A7225AA



Integrated ceramic diverter to select handspray or showerhead

Cool body

Fin Metal handles with hot water at 40°C stop button and 50% water volume stop button

Water and energy savings

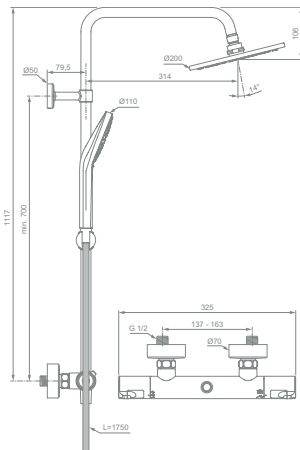
110mm Ø 3-Functional Idealrain EVO Round handspray with Navigo® push button 8 l/min

Easy clean

Includes smooth, wipe clean and durable 1750mm Idealflex hose

Easymount riser pipe allows reuse of existing wall-mounting holes and simple adjustment 200mm Ø metal showerhead 12 l/min

Optional equipment:  
 Riser rail extension 150mm - A861379AA  
 Riser rail extension 300mm - A861380AA  
 5 year guarantee



Ceratherm T50  
**Exposed Shower System  
 with Thermostatic Mixer,  
 EVO Handspray, Rainshower  
 & Wrap Over Shelf**  
 A7230AA



5 YEAR GUARANTEE

Integrated ceramic diverter to select handspray or showerhead

Integrated shelf for additional storage

Cool body

Fin Metal handles with hot water at 40°C stop button and 50% water volume stop button

Water and energy savings

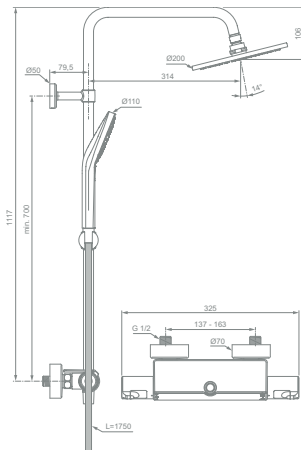
110mm Ø 3-Functional Idealrain EVO Round handspray with Navigo® push button 8 l/min

Easy clean

Includes smooth, wipe clean and durable 1750mm Idealflex hose

Easymount riser pipe allows reuse of existing wall-mounting holes and simple adjustment 200mm Ø metal showerhead 12 l/min

Optional equipment:  
 Riser rail extension 150mm - A861379AA  
 Riser rail extension 300mm - A861380AA  
 5 year guarantee



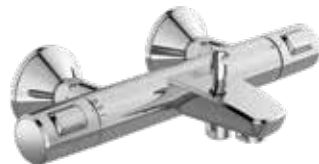
CERATHERM  
T25

Ceratherm T25  
**Exposed Thermostatic  
Shower Mixer**  
A7201AA



Cool body  
Plastic handles with hot water at 40°C stop button and 50% water volume stop button  
Water and energy savings  
Optional equipment:  
Wrap over shelf - A7215AA  
5 year guarantee

Ceratherm T25  
**Exposed Thermostatic  
Bath Shower Mixer**  
A7206AA



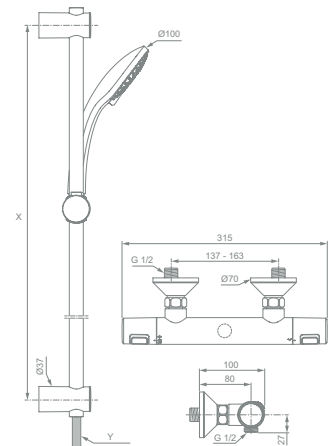
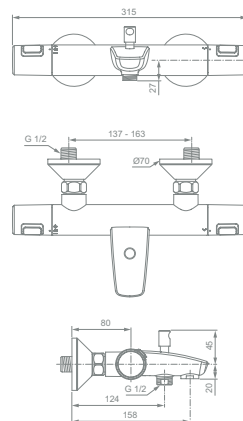
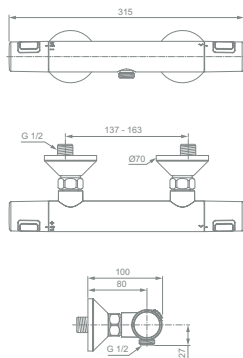
Cool body  
Plastic handles with hot water at 40°C stop button and 50% water volume stop button  
Water and energy savings  
Automatic diverter through the bath spout  
Perlator aerator  
5 year guarantee

Ceratherm T25  
**Thermostatic Shower Mixer  
with Fixed Riser & Handspray**  
A7203AA / A7204AA



**A7203AA**  
600mm Fixed Riser – 1250mm Idealflex Hose  
**A7204AA**  
900mm Fixed Riser – 1600mm Idealflex Hose  
Cool body  
Plastic handles with hot water at 40°C stop button and 50% water volume stop button  
Water and energy savings  
100mm Ø 3-Functional Idealrain handspray  
8 l/min  
Easy clean  
Easymount shower rail allows reuse of existing wall-mounting holes and simple adjustment  
Includes smooth, wipe clean and durable Idealflex hose  
Optional equipment:  
Wrap over shelf - A7215AA  
5 year guarantee

	A7203AA	A7204AA
X	max. 565	max. 865
Y	1250	1600



Ceratherm T25  
**Exposed Shower System  
 with Thermostatic Mixer,  
 Handspray & Rainshower**  
 A7208AA



Integrated ceramic diverter to select handspray or showerhead

Cool body

Plastic handles with hot water at 40°C stop button and 50% water volume stop button

Water and energy savings

100mm Ø 3-Functional Idealrain handspray 8 l/min

Easy clean

Includes smooth, wipe clean and durable 1600mm Idealflex hose

Easymount riser pipe allows reuse of existing wall-mounting holes and simple adjustment

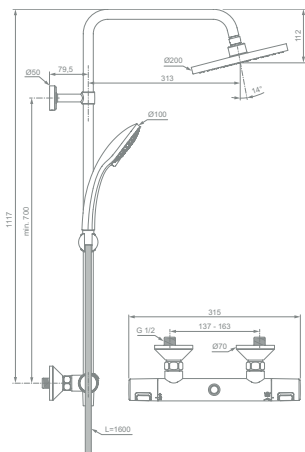
200mm Ø showerhead 12 l/min

Optional equipment:

Riser rail extension 150mm - A861379AA

Riser rail extension 300mm - A861380AA

5 year guarantee



CERATHERM  
 ACCESSORIES

Ceratherm T  
**Wrap Over Shelf**  
 A7215AA



Easy fix wrap over shelf to fit all Ceratherm T range shower mixers

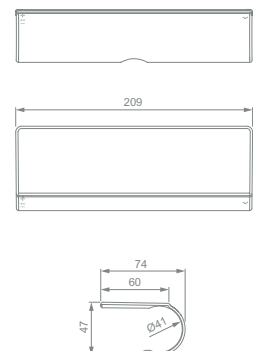
Provides useful additional storage in the shower

Easy fix

Easy clean

Temperature indication to provide clear definition of temperature with figures

5 year guarantee



Together we positively impact the future of modern living. Together we think bigger. Together we establish the rules for considered design. Together we bring emotion to functional perfection. Together we form enduring partnerships. Together we meet the needs of all generations. Together we shape the future of the category we have defined.

Together for Better.



Ideal Standard

**Ideal Standard-Vidima AD**

53 Marin Popov Street  
5400 Sevlievo, Bulgaria  
Tel: +359 675 30362  
office@idealstandard.com

**Representative office, Riga**

A. Briana str. 9a,  
Riga, LV- 1001, Latvia  
Tel: +371 673 57 792  
Fax: +371 673 57 795  
VDorogoi@IdealStandard.com

**Representative Office, Bucharest**

Cotroceni Business Center  
Bd. Iuliu Maniu, nr 7, corp T,  
061072 Bucharest, Romania  
Tel/Fax: +40 21 322 3201  
Tel/Fax: +40 21 322 3202  
OfficeBucharest@idealstandard.com

**Representative office, Belgrade**

Drinčićeva no.19, apartment no.8  
11000 Belgrade, Serbia  
Tel/Fax: +381 11 7138 058  
Tel/Fax: +381 11 7138 059  
OBelgrade@IdealStandard.com

**Representative Office, Budapest**

IS-Hun Kft  
1221 Budapest  
Aranyfácán u 20  
Tel: +36 30 6991 594  
ZGarai@idealstandard.com

**Contact for Albania, Kosovo  
and Bosnia & Herzegovina**

Tel: +359 887 709 696  
IMichev@idealstandard.com

**Contact for Croatia**

Tel: +38591 22 99 304  
HPavicic@idealstandard.com

**Contact for Slovenia**

Tel: +39 040 2158058  
info@liaison.it



